

3-/4-way mixing valves ARV



- For distribution and mixing
- Compact design
- Rotary knob for precise adjustments
- Low torque for increased service life of actuator



Application Universal mixing application in water-based heating and cooling systems (radiators, panel heating systems). The 3-way mixer can also be used as a distribution or zone mixer. Suitable for water and water/glycol mixtures with up to 50 % glycol. Not suitable for drinking water.

Description Compact, low-loss 3-way or 4-way mixing valves with brass base and easy-to-handle rotary knob made of high-strength plastic. The rotary knob with scale allows for easy and accurate manual adjustment of the mixing valve. The elevated mark allows for fast position determination. Two scales with "0 to 10" for horizontal installation and "10 to 0" for vertical installation are included for maximum flexibility.

3-way mixing valve for distribution and mixing: The desired flow temperature is obtained via the precise mixing ratio of hot boiler water and cold water from the return line.

4-way mixing valve for dual mixing. The return temperature to the boiler can be high in order to avoid corrosion damage, for example.

The mixing valves are easy to automate with the AFRISO ARM actuators. The low torque ensures a low load and a long service life.

Technical specifications

Angle of rotation

90°

Operating temperature range

Medium: -10 / +110 °C

Nominal pressure

Max. 10 bar

Flow rate

See ordering table

Leak rate

< 1.5 % flow coefficient NS

Required torque

DN 20 / DN 32: < 1 Nm

DN 40 / DN 50: < 2 Nm

Material

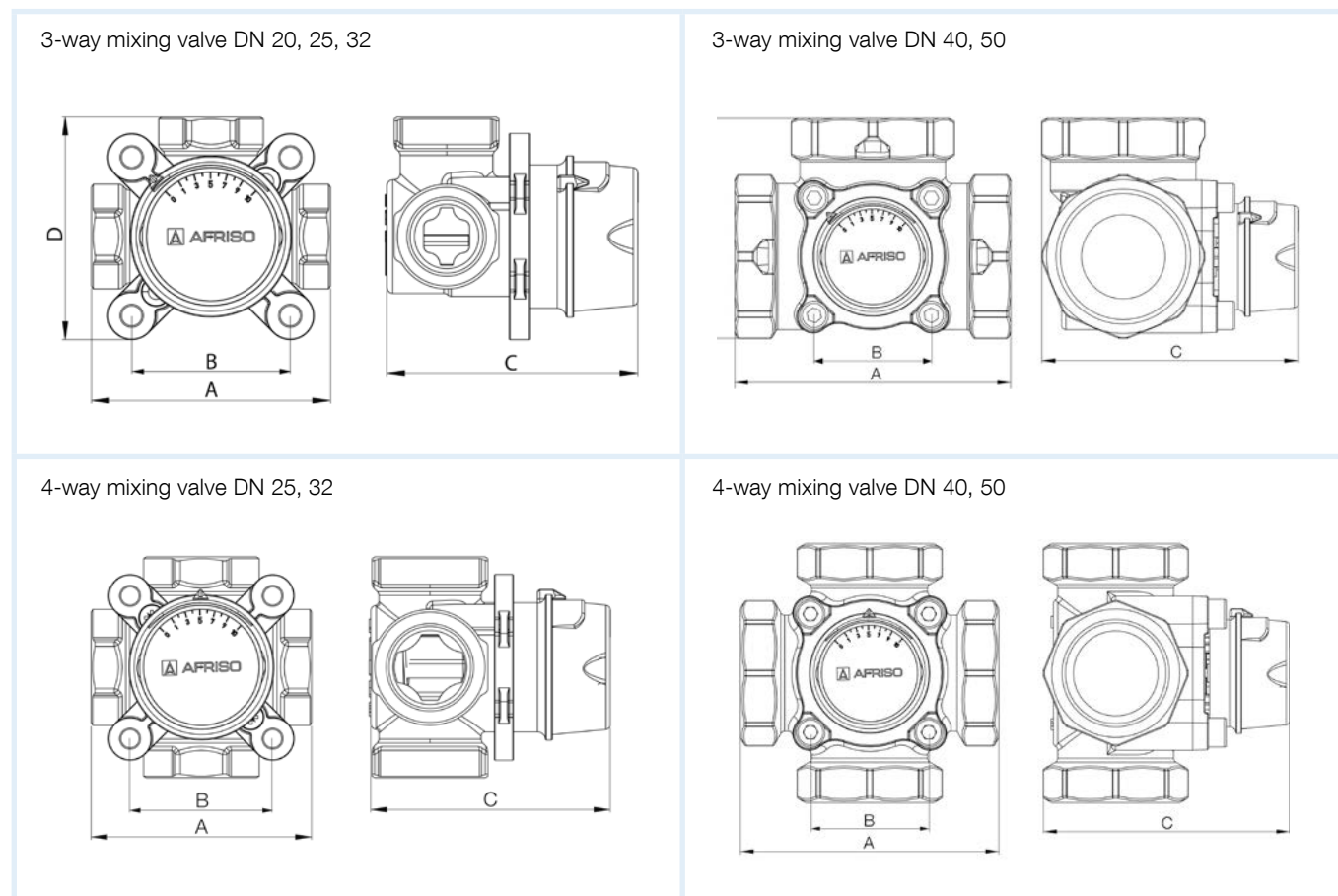
Housing: Brass (CW617N)

O rings: EPDM

DG: G, PG: 2	DN	Connection	Flow coefficient NS	Part no.	Price €
3-way mixing valve ARV 382	20	Rp ¾	6.3 m³/h	78234	
3-way mixing valve ARV 384	25	Rp 1	12 m³/h	78235	
3-way mixing valve ARV 385	32	Rp 1¼	15 m³/h	78236	
3-way mixing valve ARV 386	40	Rp 1½	26 m³/h	78237	
3-way mixing valve ARV 387	50	Rp 2	40 m³/h	78238	
4-way mixing valve ARV 484	25	Rp 1	12 m³/h	78239	
4-way mixing valve ARV 485	32	Rp 1¼	15 m³/h	78241	
4-way mixing valve ARV 486	40	Rp 1½	26 m³/h	78242	
4-way mixing valve ARV 487	50	Rp 2	40 m³/h	78243	

3-/4-way mixing valves ARV

Housing types and dimensions



Dimensions (mm)

	DN	Connection (female thread)	A	B	C	D
ARV 382	20	Rp 3/4	80	53	76.6	74.5
ARV 384	25	Rp 1	82	53	81.6	75.5
ARV 385	32	Rp 1 1/4	84	53	84.5	76.5
ARV 386	40	Rp 1 1/2	116	53	100.5	92.5
ARV 387	50	Rp 2	125	53	106	99.5
ARV 484	25	Rp 1	82	53	81.6	-
ARV 485	32	Rp 1 1/4	84	53	83.5	-
ARV 486	40	Rp 1 1/2	116	53	100.5	-
ARV 487	50	Rp 2	125	53	106	-