



Standard Bourdon tube pressure gauges Type D2



Benefits

- For pneumatic and heating system applications (NG 40 - 50 - 63)
- For domestic technology and mechanical engineering applications (NG 80 - 100 - 160)
- Robust steel housing
- Window with adjustable reference pointer (NG 80 - 100)
- With reference pointer on dial (NG 160)
- Accuracy class 1.6
- Many customised versions available

Application

For gaseous and liquid media which are not highly viscous, do not crystallise and do not attack copper alloys.
! For measuring gas or vapour, observe the table "Selection Criteria as per EN 837-2"!

Technical specifications

Type
D2

Nominal size
40 – 50 – 63 – 80 – 100 – 160

Accuracy class (EN 837-1/6)
1,6

Ranges (EN 837-1/5)
See ordering table

Application area
Static load: $\frac{3}{4}$ x full scale value
Dynamic load: $\frac{3}{4}$ x full scale value
Short-term: Full scale value

Operating temperature range
Medium: Max. 60 °C
Ambient: -20/+60 °C

Temperature performance
Indication error when the temperature of the measuring system deviates from the normal temperature of 20 °C:
of full scale value

Degree of protection
IP 32 (EN 60529)



Standard version

Connection

Brass, bottom or centre back

Measuring element

Bourdon tube, Copper

alloy

≤ 60 bar: "C" type tube

> 60 bar: Helical tube

Movement

Brass

Dial

NG 40: Plastic, white

NG 50: Plastic, white

NG 63: Plastic, white

NG 80: Plastic, white

NG 100: Plastic, white

NG 160: Aluminium, white

Scaling

D201: Black

D211: Black

Scale

D231: Dual scale, bar outer, black – psi inner, red

D251: Dual scale, bar outer, black – psi inner, red

Pointer

NG 40: Plastic, black

NG 50: Plastic, black

NG 63: Plastic, black

NG 80: Plastic, black

NG 100: Plastic, black

NG 160: Aluminium, black

Housing

Sheet steel, black

Push on bezel

NG 160: Sheet steel, black

Window

NG 40: Plastic, clipped in

NG 50: Plastic, clipped in

NG 63: Plastic, clipped in

NG 80: Plastic, clipped in, with adjustable red reference pointer

NG 100: Plastic, clipped in, with adjustable red reference pointer

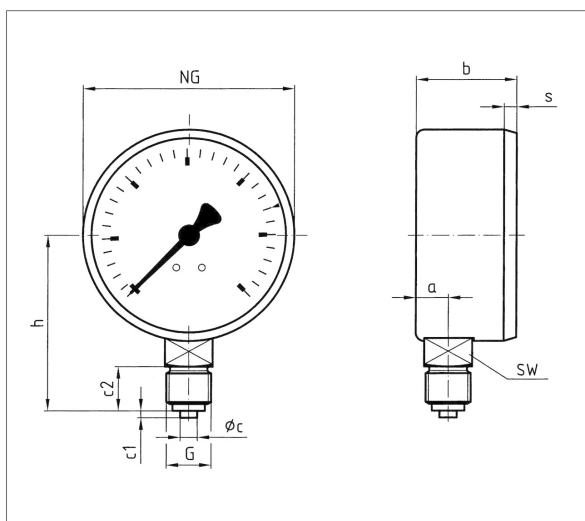
NG 160: Instrument glass, with adjustable red reference pointer

Options

- Panel mounting bezel
- 3-hole fixing, panel mounting bezel
- Damping screw
- Reference pointer
- Special scales
- Other process connections

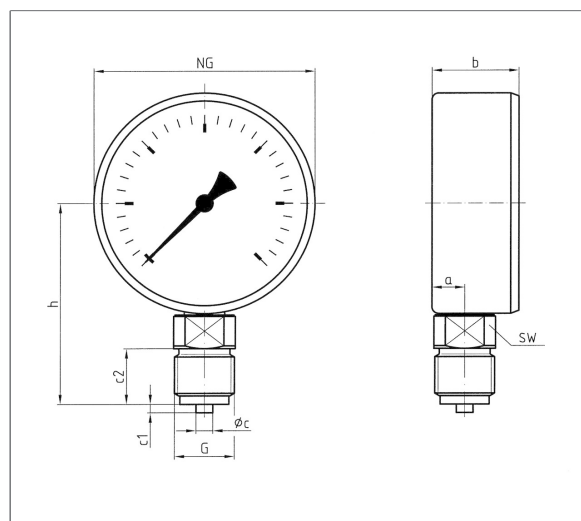


Technical drawings



Dimensions (mm)

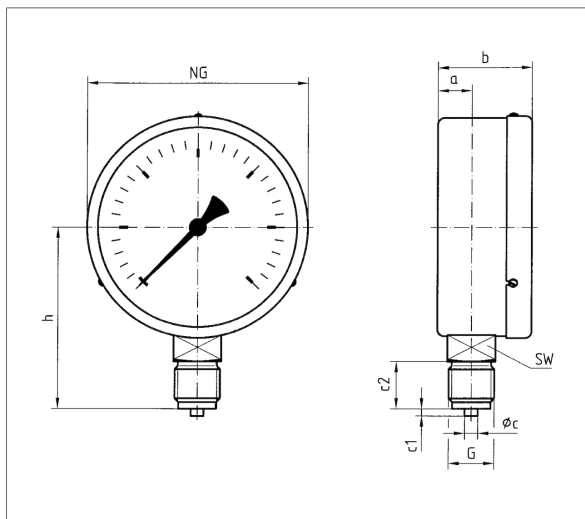
NG	a	b	øc	c1	c2	G	h	s	SW
40	8,5	23,5	4	2	10	G½B	36	3	12
50	10,5	26	5	2	13	G¼B	45	3,8	14
63	9,5	29,4	5	2	13	G¼B	51,5	3,7	14



Dimensions (mm)

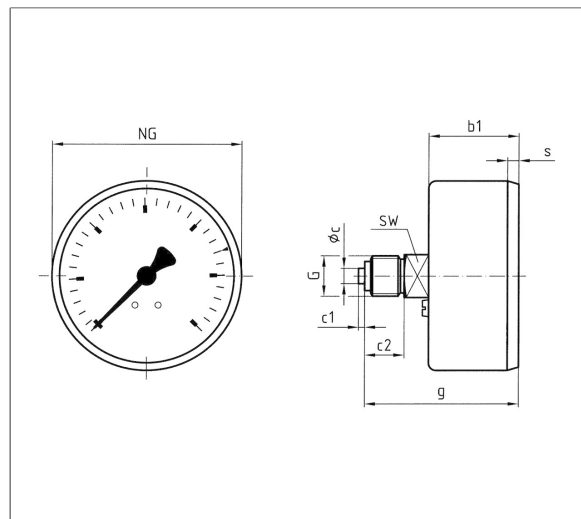
NG	a	b	øc	c1	c2	G	h	SW
80	11,7	31	6	3	20	G½B	72	14
100	11	29,5	6	3	20	G½B	82	14

NG 160 – bottom connection, with push on bezel



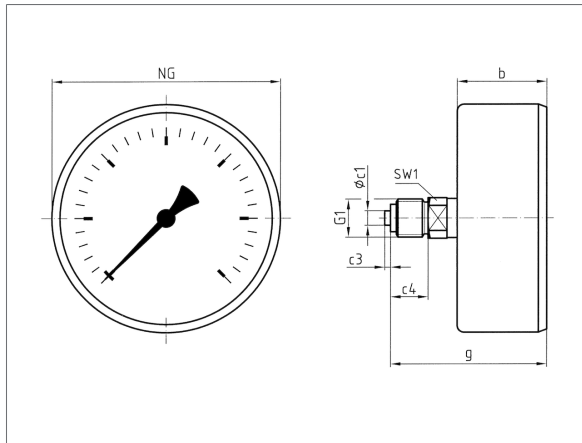
Dimensions (mm)

NG	a	b	øc	c1	c2	G	h	SW
160	15,5	50	6	3	20	G½B	116	22



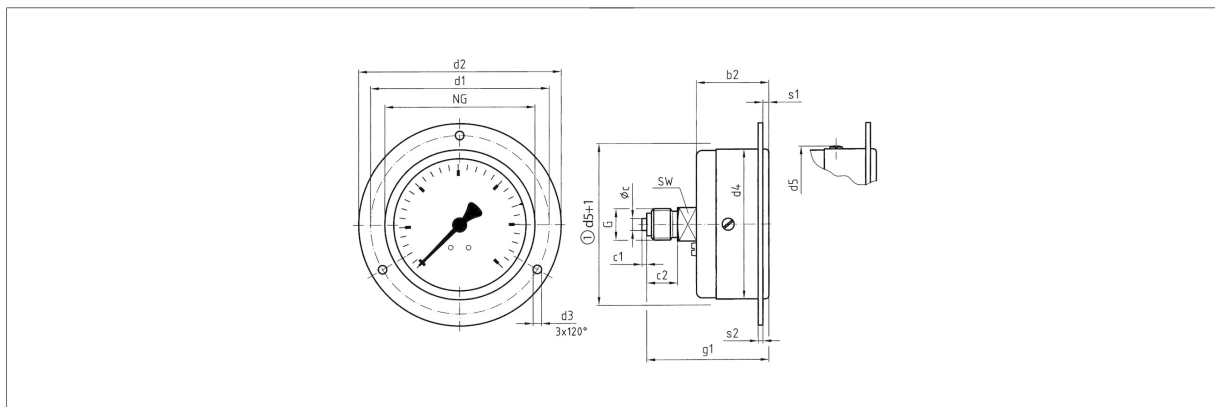
Dimensions (mm)

NG	b1	øc	c1	c2	g	G	s	SW
40	25	4	2	10	41,5	G½B	3	12
50	26	5	2	13	47	G¼B	3,8	14
63	29,4	5	2	13	50,4	G¼B	3,7	14



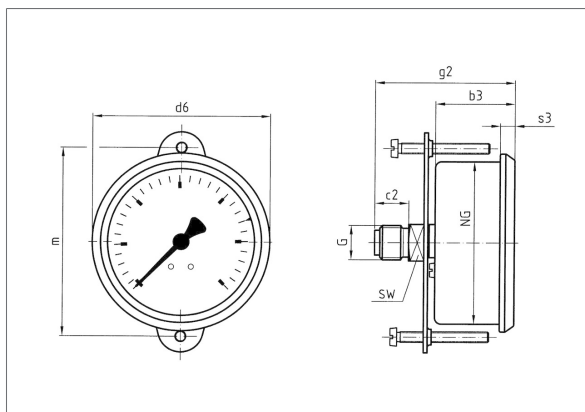
Dimensions (mm)

NG	b	∅c1	c3	c4	g	G1	SW1
80	31	6	2	13	54	G $\frac{1}{4}$ B	14
100	29,5	6	2	13	52,5	G $\frac{1}{4}$ B	14



Dimensions (mm)

NG	b2	∅c	c1	c2	d1	d2	d3	d4	d5	g1	G	s1	s2	SW
40	26	4	2	10	51	61	3,6	41	45	42,5	G $\frac{1}{8}$ B	2,5	2	12
50	27,5	5	2	13	60	71	3,6	50	54	49	G $\frac{1}{4}$ B	2,5	2	14
63	30,3	5	2	13	75	85	3,6	63	66,5	51,3	G $\frac{1}{4}$ B	2,5	2	14



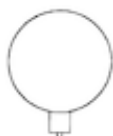
Dimensions (mm)

NG	b3	c2	d6	g2	G	m	s3	SW
40	28	10	44	46,6	G $\frac{1}{4}$ B	50	5,2	12
50	30,3	13	54	51,3	G $\frac{1}{4}$ B	45	5,4	14
63	30,3	13	67,8	53,3	G $\frac{1}{4}$ B	51,5	5,6	14

Versions

RF40 D201

Housing \varnothing	Connection	Alignment	Housing	Accuracy class	Range	Type	Part no.
40 mm	G $\frac{1}{4}$ B	Bottom	Sheet steel, black	1,6	-1/0 bar	RF40 D201	85001201
40 mm	G $\frac{1}{4}$ B	Bottom	Sheet steel, black	1,6	0/1 bar	RF40 D201	85010201
40 mm	G $\frac{1}{4}$ B	Bottom	Sheet steel, black	1,6	0/1.6 bar	RF40 D201	85011201
40 mm	G $\frac{1}{4}$ B	Bottom	Sheet steel, black	1,6	0/2.5 bar	RF40 D201	85012201
40 mm	G $\frac{1}{4}$ B	Bottom	Sheet steel, black	1,6	0/4 bar	RF40 D201	85013201
40 mm	G $\frac{1}{4}$ B	Bottom	Sheet steel, black	1,6	0/6 bar	RF40 D201	85014201
40 mm	G $\frac{1}{4}$ B	Bottom	Sheet steel, black	1,6	0/10 bar	RF40 D201	85015201
40 mm	G $\frac{1}{4}$ B	Bottom	Sheet steel, black	1,6	0/16 bar	RF40 D201	85016201
40 mm	G $\frac{1}{4}$ B	Bottom	Sheet steel, black	1,6	0/25 bar	RF40 D201	85017201
40 mm	G $\frac{1}{4}$ B	Bottom	Sheet steel, black	1,6	0/40 bar	RF40 D201	85018201
40 mm	G $\frac{1}{4}$ B	Bottom	Sheet steel, black	1,6	0/60 bar	RF40 D201	85019201
40 mm	G $\frac{1}{4}$ B	Bottom	Sheet steel, black	1,6	0/100 bar	RF40 D201	85020201
40 mm	G $\frac{1}{4}$ B	Bottom	Sheet steel, black	1,6	0/160 bar	RF40 D201	85021201
40 mm	G $\frac{1}{4}$ B	Bottom	Sheet steel, black	1,6	0/250 bar	RF40 D201	85022201

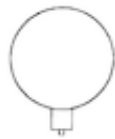


Blue part no. = in-stock items



RF50 D201

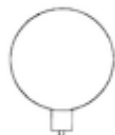
Housing \varnothing	Connection	Alignment	Housing	Accuracy class	Range	Type	Part no.
50 mm	G $\frac{1}{4}$ B	Bottom	Sheet steel, black	1,6	-1/0 bar	RF50 D201	85051201
50 mm	G $\frac{1}{4}$ B	Bottom	Sheet steel, black	1,6	0/1 bar	RF50 D201	85060201
50 mm	G $\frac{1}{4}$ B	Bottom	Sheet steel, black	1,6	0/1.6 bar	RF50 D201	85061201
50 mm	G $\frac{1}{4}$ B	Bottom	Sheet steel, black	1,6	0/2.5 bar	RF50 D201	85062201
50 mm	G $\frac{1}{4}$ B	Bottom	Sheet steel, black	1,6	0/4 bar	RF50 D201	85063201
50 mm	G $\frac{1}{4}$ B	Bottom	Sheet steel, black	1,6	0/6 bar	RF50 D201	85064201
50 mm	G $\frac{1}{4}$ B	Bottom	Sheet steel, black	1,6	0/10 bar	RF50 D201	85065201
50 mm	G $\frac{1}{4}$ B	Bottom	Sheet steel, black	1,6	0/16 bar	RF50 D201	85066201
50 mm	G $\frac{1}{4}$ B	Bottom	Sheet steel, black	1,6	0/25 bar	RF50 D201	85067201
50 mm	G $\frac{1}{4}$ B	Bottom	Sheet steel, black	1,6	0/40 bar	RF50 D201	85068201
50 mm	G $\frac{1}{4}$ B	Bottom	Sheet steel, black	1,6	0/60 bar	RF50 D201	85069201
50 mm	G $\frac{1}{4}$ B	Bottom	Sheet steel, black	1,6	0/100 bar	RF50 D201	85070201
50 mm	G $\frac{1}{4}$ B	Bottom	Sheet steel, black	1,6	0/160 bar	RF50 D201	85071201
50 mm	G $\frac{1}{4}$ B	Bottom	Sheet steel, black	1,6	0/250 bar	RF50 D201	85072201
50 mm	G $\frac{1}{4}$ B	Bottom	Sheet steel, black	1,6	0/400 bar	RF50 D201	85073201



Blue part no. = in-stock items

RF63 D201

Housing \varnothing	Connection	Alignment	Housing	Accuracy class	Range	Type	Part no.
63 mm	G $\frac{1}{4}$ B	Bottom	Sheet steel, black	1,6	-1/0 bar	RF63 D201	85101201
63 mm	G $\frac{1}{4}$ B	Bottom	Sheet steel, black	1,6	-1/+0.6 bar	RF63 D201	85102201
63 mm	G $\frac{1}{4}$ B	Bottom	Sheet steel, black	1,6	-1/+1.5 bar	RF63 D201	85103201
63 mm	G $\frac{1}{4}$ B	Bottom	Sheet steel, black	1,6	-1/+3 bar	RF63 D201	85104201
63 mm	G $\frac{1}{4}$ B	Bottom	Sheet steel, black	1,6	-1/+5 bar	RF63 D201	85105201
63 mm	G $\frac{1}{4}$ B	Bottom	Sheet steel, black	1,6	-1/+9 bar	RF63 D201	85106201
63 mm	G $\frac{1}{4}$ B	Bottom	Sheet steel, black	1,6	-1/+15 bar	RF63 D201	85107201
63 mm	G $\frac{1}{4}$ B	Bottom	Sheet steel, black	1,6	0/0.6 bar	RF63 D201	85109201
63 mm	G $\frac{1}{4}$ B	Bottom	Sheet steel, black	1,6	0/1 bar	RF63 D201	85110201
63 mm	G $\frac{1}{4}$ B	Bottom	Sheet steel, black	1,6	0/1.6 bar	RF63 D201	85111201



Blue part no. = in-stock items



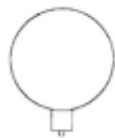
Housing Ø	Connection	Alignment	Housing	Accuracy class	Range	Type	Part no.
63 mm	G¼B	Bottom	Sheet steel, black	1,6	0/2.5 bar	RF63 D201	85112201
63 mm	G¼B	Bottom	Sheet steel, black	1,6	0/4 bar	RF63 D201	85113201
63 mm	G¼B	Bottom	Sheet steel, black	1,6	0/6 bar	RF63 D201	85114201
63 mm	G¼B	Bottom	Sheet steel, black	1,6	0/10 bar	RF63 D201	85115201
63 mm	G¼B	Bottom	Sheet steel, black	1,6	0/16 bar	RF63 D201	85116201
63 mm	G¼B	Bottom	Sheet steel, black	1,6	0/25 bar	RF63 D201	85117201
63 mm	G¼B	Bottom	Sheet steel, black	1,6	0/40 bar	RF63 D201	85118201
63 mm	G¼B	Bottom	Sheet steel, black	1,6	0/60 bar	RF63 D201	85119201
63 mm	G¼B	Bottom	Sheet steel, black	1,6	0/100 bar	RF63 D201	85120201
63 mm	G¼B	Bottom	Sheet steel, black	1,6	0/160 bar	RF63 D201	85121201
63 mm	G¼B	Bottom	Sheet steel, black	1,6	0/250 bar	RF63 D201	85122201
63 mm	G¼B	Bottom	Sheet steel, black	1,6	0/400 bar	RF63 D201	85123201

Blue part no. = in-stock items

RF80 D201

Housing Ø	Connection	Alignment	Housing	Accuracy class	Range	Type	Part no.
80 mm	G½B	Bottom	Sheet steel, black	1,6	-1/0 bar	RF80 D201	85151201
80 mm	G½B	Bottom	Sheet steel, black	1,6	-1/+0.6 bar	RF80 D201	85152201
80 mm	G½B	Bottom	Sheet steel, black	1,6	-1/+1.5 bar	RF80 D201	85153201
80 mm	G½B	Bottom	Sheet steel, black	1,6	-1/+3 bar	RF80 D201	85154201
80 mm	G½B	Bottom	Sheet steel, black	1,6	-1/+5 bar	RF80 D201	85155201
80 mm	G½B	Bottom	Sheet steel, black	1,6	-1/+9 bar	RF80 D201	85156201
80 mm	G½B	Bottom	Sheet steel, black	1,6	-1/+15 bar	RF80 D201	85157201
80 mm	G½B	Bottom	Sheet steel, black	1,6	0/0.6 bar	RF80 D201	85159201
80 mm	G½B	Bottom	Sheet steel, black	1,6	0/1 bar	RF80 D201	85160201
80 mm	G½B	Bottom	Sheet steel, black	1,6	0/1.6 bar	RF80 D201	85161201
80 mm	G½B	Bottom	Sheet steel, black	1,6	0/2.5 bar	RF80 D201	85162201
80 mm	G½B	Bottom	Sheet steel, black	1,6	0/4 bar	RF80 D201	85163201
80 mm	G½B	Bottom	Sheet steel, black	1,6	0/6 bar	RF80 D201	85164201
80 mm	G½B	Bottom	Sheet steel, black	1,6	0/10 bar	RF80 D201	85165201

Blue part no. = in-stock items





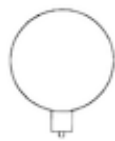
Housing \varnothing	Connection	Alignment	Housing	Accuracy class	Range	Type	Part no.
80 mm	G $\frac{1}{2}$ B	Bottom	Sheet steel, black	1,6	0/16 bar	RF80 D201	85166201
80 mm	G $\frac{1}{2}$ B	Bottom	Sheet steel, black	1,6	0/25 bar	RF80 D201	85167201
80 mm	G $\frac{1}{2}$ B	Bottom	Sheet steel, black	1,6	0/40 bar	RF80 D201	85168201
80 mm	G $\frac{1}{2}$ B	Bottom	Sheet steel, black	1,6	0/60 bar	RF80 D201	85169201
80 mm	G $\frac{1}{2}$ B	Bottom	Sheet steel, black	1,6	0/100 bar	RF80 D201	85170201
80 mm	G $\frac{1}{2}$ B	Bottom	Sheet steel, black	1,6	0/160 bar	RF80 D201	85171201
80 mm	G $\frac{1}{2}$ B	Bottom	Sheet steel, black	1,6	0/250 bar	RF80 D201	85172201
80 mm	G $\frac{1}{2}$ B	Bottom	Sheet steel, black	1,6	0/400 bar	RF80 D201	85173201

Blue part no. = in-stock items

RF100 D201

Housing \varnothing	Connection	Alignment	Housing	Accuracy class	Range	Type	Part no.
100 mm	G $\frac{1}{2}$ B	Bottom	Sheet steel, black	1,6	-1/0 bar	RF100 D201	85201201
100 mm	G $\frac{1}{2}$ B	Bottom	Sheet steel, black	1,6	-1/+0.6 bar	RF100 D201	85202201
100 mm	G $\frac{1}{2}$ B	Bottom	Sheet steel, black	1,6	-1/+1.5 bar	RF100 D201	85203201
100 mm	G $\frac{1}{2}$ B	Bottom	Sheet steel, black	1,6	-1/+3 bar	RF100 D201	85204201
100 mm	G $\frac{1}{2}$ B	Bottom	Sheet steel, black	1,6	-1/+5 bar	RF100 D201	85205201
100 mm	G $\frac{1}{2}$ B	Bottom	Sheet steel, black	1,6	-1/+9 bar	RF100 D201	85206201
100 mm	G $\frac{1}{2}$ B	Bottom	Sheet steel, black	1,6	-1/+15 bar	RF100 D201	85207201
100 mm	G $\frac{1}{2}$ B	Bottom	Sheet steel, black	1,6	0/0.6 bar	RF100 D201	85209201
100 mm	G $\frac{1}{2}$ B	Bottom	Sheet steel, black	1,6	0/1 bar	RF100 D201	85210201
100 mm	G $\frac{1}{2}$ B	Bottom	Sheet steel, black	1,6	0/1.6 bar	RF100 D201	85211201
100 mm	G $\frac{1}{2}$ B	Bottom	Sheet steel, black	1,6	0/2.5 bar	RF100 D201	85212201
100 mm	G $\frac{1}{2}$ B	Bottom	Sheet steel, black	1,6	0/4 bar	RF100 D201	85213201
100 mm	G $\frac{1}{2}$ B	Bottom	Sheet steel, black	1,6	0/6 bar	RF100 D201	85214201
100 mm	G $\frac{1}{2}$ B	Bottom	Sheet steel, black	1,6	0/10 bar	RF100 D201	85215201
100 mm	G $\frac{1}{2}$ B	Bottom	Sheet steel, black	1,6	0/16 bar	RF100 D201	85216201
100 mm	G $\frac{1}{2}$ B	Bottom	Sheet steel, black	1,6	0/25 bar	RF100 D201	85217201
100 mm	G $\frac{1}{2}$ B	Bottom	Sheet steel, black	1,6	0/40 bar	RF100 D201	85218201
100 mm	G $\frac{1}{2}$ B	Bottom	Sheet steel, black	1,6	0/60 bar	RF100 D201	85219201

Blue part no. = in-stock items





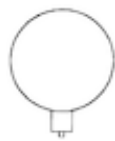
Housing Ø	Connection	Alignment	Housing	Accuracy class	Range	Type	Part no.
100 mm	G½B	Bottom	Sheet steel, black	1,6	0/100 bar	RF100 D201	85220201
100 mm	G½B	Bottom	Sheet steel, black	1,6	0/160 bar	RF100 D201	85221201
100 mm	G½B	Bottom	Sheet steel, black	1,6	0/250 bar	RF100 D201	85222201
100 mm	G½B	Bottom	Sheet steel, black	1,6	0/400 bar	RF100 D201	85223201

Blue part no. = in-stock items

RF160 D201

Housing Ø	Connection	Alignment	Housing	Accuracy class	Range	Type	Part no.
160 mm	G½B	Bottom	Sheet steel, black	1,6	-1/0 bar	RF160 D201	85251201
160 mm	G½B	Bottom	Sheet steel, black	1,6	-1/+0.6 bar	RF160 D201	85252201
160 mm	G½B	Bottom	Sheet steel, black	1,6	-1/+1.5 bar	RF160 D201	85253201
160 mm	G½B	Bottom	Sheet steel, black	1,6	-1/+3 bar	RF160 D201	85254201
160 mm	G½B	Bottom	Sheet steel, black	1,6	-1/+5 bar	RF160 D201	85255201
160 mm	G½B	Bottom	Sheet steel, black	1,6	-1/+9 bar	RF160 D201	85256201
160 mm	G½B	Bottom	Sheet steel, black	1,6	-1/+15 bar	RF160 D201	85257201
160 mm	G½B	Bottom	Sheet steel, black	1,6	0/0.6 bar	RF160 D201	85259201
160 mm	G½B	Bottom	Sheet steel, black	1,6	0/1 bar	RF160 D201	85260201
160 mm	G½B	Bottom	Sheet steel, black	1,6	0/1.6 bar	RF160 D201	85261201
160 mm	G½B	Bottom	Sheet steel, black	1,6	0/2.5 bar	RF160 D201	85262201
160 mm	G½B	Bottom	Sheet steel, black	1,6	0/4 bar	RF160 D201	85263201
160 mm	G½B	Bottom	Sheet steel, black	1,6	0/6 bar	RF160 D201	85264201
160 mm	G½B	Bottom	Sheet steel, black	1,6	0/10 bar	RF160 D201	85265201
160 mm	G½B	Bottom	Sheet steel, black	1,6	0/16 bar	RF160 D201	85266201
160 mm	G½B	Bottom	Sheet steel, black	1,6	0/25 bar	RF160 D201	85267201
160 mm	G½B	Bottom	Sheet steel, black	1,6	0/40 bar	RF160 D201	85268201

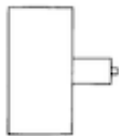
Blue part no. = in-stock items





RF40 D211

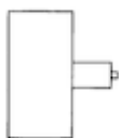
Housing \varnothing	Connection	Alignment	Housing	Accuracy class	Range	Type	Part no.
40 mm	G $\frac{1}{4}$ B	Centre back	Sheet steel, black	1,6	-1/0 bar	RF40 D211	85001211
40 mm	G $\frac{1}{4}$ B	Centre back	Sheet steel, black	1,6	0/1 bar	RF40 D211	85010211
40 mm	G $\frac{1}{4}$ B	Centre back	Sheet steel, black	1,6	0/1.6 bar	RF40 D211	85011211
40 mm	G $\frac{1}{4}$ B	Centre back	Sheet steel, black	1,6	0/2.5 bar	RF40 D211	85012211
40 mm	G $\frac{1}{4}$ B	Centre back	Sheet steel, black	1,6	0/4 bar	RF40 D211	85013211
40 mm	G $\frac{1}{4}$ B	Centre back	Sheet steel, black	1,6	0/6 bar	RF40 D211	85014211
40 mm	G $\frac{1}{4}$ B	Centre back	Sheet steel, black	1,6	0/10 bar	RF40 D211	85015211
40 mm	G $\frac{1}{4}$ B	Centre back	Sheet steel, black	1,6	0/16 bar	RF40 D211	85016211
40 mm	G $\frac{1}{4}$ B	Centre back	Sheet steel, black	1,6	0/25 bar	RF40 D211	85017211
40 mm	G $\frac{1}{4}$ B	Centre back	Sheet steel, black	1,6	0/40 bar	RF40 D211	85018211
40 mm	G $\frac{1}{4}$ B	Centre back	Sheet steel, black	1,6	0/60 bar	RF40 D211	85019211
40 mm	G $\frac{1}{4}$ B	Centre back	Sheet steel, black	1,6	0/100 bar	RF40 D211	85020211
40 mm	G $\frac{1}{4}$ B	Centre back	Sheet steel, black	1,6	0/160 bar	RF40 D211	85021211
40 mm	G $\frac{1}{4}$ B	Centre back	Sheet steel, black	1,6	0/250 bar	RF40 D211	85022211



Blue part no. = in-stock items

RF50 D211

Housing \varnothing	Connection	Alignment	Housing	Accuracy class	Range	Type	Part no.
50 mm	G $\frac{1}{4}$ B	Centre back	Sheet steel, black	1,6	-1/0 bar	RF50 D211	85051211
50 mm	G $\frac{1}{4}$ B	Centre back	Sheet steel, black	1,6	0/1 bar	RF50 D211	85060211
50 mm	G $\frac{1}{4}$ B	Centre back	Sheet steel, black	1,6	0/1.6 bar	RF50 D211	85061211
50 mm	G $\frac{1}{4}$ B	Centre back	Sheet steel, black	1,6	0/2.5 bar	RF50 D211	85062211
50 mm	G $\frac{1}{4}$ B	Centre back	Sheet steel, black	1,6	0/4 bar	RF50 D211	85063211
50 mm	G $\frac{1}{4}$ B	Centre back	Sheet steel, black	1,6	0/6 bar	RF50 D211	85064211
50 mm	G $\frac{1}{4}$ B	Centre back	Sheet steel, black	1,6	0/10 bar	RF50 D211	85065211
50 mm	G $\frac{1}{4}$ B	Centre back	Sheet steel, black	1,6	0/16 bar	RF50 D211	85066211
50 mm	G $\frac{1}{4}$ B	Centre back	Sheet steel, black	1,6	0/25 bar	RF50 D211	85067211
50 mm	G $\frac{1}{4}$ B	Centre back	Sheet steel, black	1,6	0/40 bar	RF50 D211	85068211
50 mm	G $\frac{1}{4}$ B	Centre back	Sheet steel, black	1,6	0/60 bar	RF50 D211	85069211



Blue part no. = in-stock items



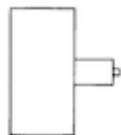
Housing Ø	Connection	Alignment	Housing	Accuracy class	Range	Type	Part no.
50 mm	G¼B	Centre back	Sheet steel, black	1,6	0/100 bar	RF50 D211	85070211
50 mm	G¼B	Centre back	Sheet steel, black	1,6	0/160 bar	RF50 D211	85071211
50 mm	G¼B	Centre back	Sheet steel, black	1,6	0/250 bar	RF50 D211	85072211
50 mm	G¼B	Centre back	Sheet steel, black	1,6	0/400 bar	RF50 D211	85073211

Blue part no. = in-stock items

RF63 D211

Housing Ø	Connection	Alignment	Housing	Accuracy class	Range	Type	Part no.
63 mm	G¼B	Centre back	Sheet steel, black	1,6	-1/0 bar	RF63 D211	85101211
63 mm	G¼B	Centre back	Sheet steel, black	1,6	-1/+0.6 bar	RF63 D211	85102211
63 mm	G¼B	Centre back	Sheet steel, black	1,6	-1/+1.5 bar	RF63 D211	85103211
63 mm	G¼B	Centre back	Sheet steel, black	1,6	-1/+3 bar	RF63 D211	85104211
63 mm	G¼B	Centre back	Sheet steel, black	1,6	-1/+5 bar	RF63 D211	85105211
63 mm	G¼B	Centre back	Sheet steel, black	1,6	-1/+9 bar	RF63 D211	85106211
63 mm	G¼B	Centre back	Sheet steel, black	1,6	-1/+15 bar	RF63 D211	85107211
63 mm	G¼B	Centre back	Sheet steel, black	1,6	0/0.6 bar	RF63 D211	85109211
63 mm	G¼B	Centre back	Sheet steel, black	1,6	0/1 bar	RF63 D211	85110211
63 mm	G¼B	Centre back	Sheet steel, black	1,6	0/1.6 bar	RF63 D211	85111211
63 mm	G¼B	Centre back	Sheet steel, black	1,6	0/2.5 bar	RF63 D211	85112211
63 mm	G¼B	Centre back	Sheet steel, black	1,6	0/4 bar	RF63 D211	85113211
63 mm	G¼B	Centre back	Sheet steel, black	1,6	0/6 bar	RF63 D211	85114211
63 mm	G¼B	Centre back	Sheet steel, black	1,6	0/10 bar	RF63 D211	85115211
63 mm	G¼B	Centre back	Sheet steel, black	1,6	0/16 bar	RF63 D211	85116211
63 mm	G¼B	Centre back	Sheet steel, black	1,6	0/25 bar	RF63 D211	85117211
63 mm	G¼B	Centre back	Sheet steel, black	1,6	0/40 bar	RF63 D211	85118211
63 mm	G¼B	Centre back	Sheet steel, black	1,6	0/60 bar	RF63 D211	85119211
63 mm	G¼B	Centre back	Sheet steel, black	1,6	0/100 bar	RF63 D211	85120211
63 mm	G¼B	Centre back	Sheet steel, black	1,6	0/160 bar	RF63 D211	85121211
63 mm	G¼B	Centre back	Sheet steel, black	1,6	0/250 bar	RF63 D211	85122211
63 mm	G¼B	Centre back	Sheet steel, black	1,6	0/400 bar	RF63 D211	85123211

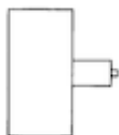
Blue part no. = in-stock items





RF100 D211

Housing \varnothing	Connection	Alignment	Housing	Accuracy class	Range	Type	Part no.
100 mm	G $\frac{1}{4}$ B	Centre back	Sheet steel, black	1,6	-1/0 bar	RF100 D211	85201211
100 mm	G $\frac{1}{4}$ B	Centre back	Sheet steel, black	1,6	-1/+0.6 bar	RF100 D211	85202211
100 mm	G $\frac{1}{4}$ B	Centre back	Sheet steel, black	1,6	-1/+1.5 bar	RF100 D211	85203211
100 mm	G $\frac{1}{4}$ B	Centre back	Sheet steel, black	1,6	-1/+3 bar	RF100 D211	85204211
100 mm	G $\frac{1}{4}$ B	Centre back	Sheet steel, black	1,6	-1/+5 bar	RF100 D211	85205211
100 mm	G $\frac{1}{4}$ B	Centre back	Sheet steel, black	1,6	-1/+9 bar	RF100 D211	85206211
100 mm	G $\frac{1}{4}$ B	Centre back	Sheet steel, black	1,6	-1/+15 bar	RF100 D211	85207211
100 mm	G $\frac{1}{4}$ B	Centre back	Sheet steel, black	1,6	0/0.6 bar	RF100 D211	85209211
100 mm	G $\frac{1}{4}$ B	Centre back	Sheet steel, black	1,6	0/1 bar	RF100 D211	85210211
100 mm	G $\frac{1}{4}$ B	Centre back	Sheet steel, black	1,6	0/1.6 bar	RF100 D211	85211211
100 mm	G $\frac{1}{4}$ B	Centre back	Sheet steel, black	1,6	0/2.5 bar	RF100 D211	85212211
100 mm	G $\frac{1}{4}$ B	Centre back	Sheet steel, black	1,6	0/4 bar	RF100 D211	85213211
100 mm	G $\frac{1}{4}$ B	Centre back	Sheet steel, black	1,6	0/6 bar	RF100 D211	85214211
100 mm	G $\frac{1}{4}$ B	Centre back	Sheet steel, black	1,6	0/10 bar	RF100 D211	85215211
100 mm	G $\frac{1}{4}$ B	Centre back	Sheet steel, black	1,6	0/16 bar	RF100 D211	85216211
100 mm	G $\frac{1}{4}$ B	Centre back	Sheet steel, black	1,6	0/25 bar	RF100 D211	85217211
100 mm	G $\frac{1}{4}$ B	Centre back	Sheet steel, black	1,6	0/40 bar	RF100 D211	85218211
100 mm	G $\frac{1}{4}$ B	Centre back	Sheet steel, black	1,6	0/60 bar	RF100 D211	85219211
100 mm	G $\frac{1}{4}$ B	Centre back	Sheet steel, black	1,6	0/100 bar	RF100 D211	85220211
100 mm	G $\frac{1}{4}$ B	Centre back	Sheet steel, black	1,6	0/160 bar	RF100 D211	85221211
100 mm	G $\frac{1}{4}$ B	Centre back	Sheet steel, black	1,6	0/250 bar	RF100 D211	85222211
100 mm	G $\frac{1}{4}$ B	Centre back	Sheet steel, black	1,6	0/400 bar	RF100 D211	85223211

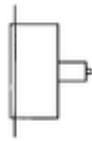


Blue part no. = in-stock items



RF40 D231

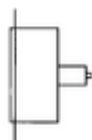
Housing \varnothing	Connection	Alignment	Housing	Accuracy class	Range	Type	Part no.
40 mm	G $\frac{1}{4}$ B	Centre back	Sheet steel, black	1,6	-1/0 bar	RF40 D231	85001231
40 mm	G $\frac{1}{4}$ B	Centre back	Sheet steel, black	1,6	0/1 bar	RF40 D231	85010231
40 mm	G $\frac{1}{4}$ B	Centre back	Sheet steel, black	1,6	0/1.6 bar	RF40 D231	85011231
40 mm	G $\frac{1}{4}$ B	Centre back	Sheet steel, black	1,6	0/2.5 bar	RF40 D231	85012231
40 mm	G $\frac{1}{4}$ B	Centre back	Sheet steel, black	1,6	0/4 bar	RF40 D231	85013231
40 mm	G $\frac{1}{4}$ B	Centre back	Sheet steel, black	1,6	0/6 bar	RF40 D231	85014231
40 mm	G $\frac{1}{4}$ B	Centre back	Sheet steel, black	1,6	0/10 bar	RF40 D231	85015231
40 mm	G $\frac{1}{4}$ B	Centre back	Sheet steel, black	1,6	0/16 bar	RF40 D231	85016231
40 mm	G $\frac{1}{4}$ B	Centre back	Sheet steel, black	1,6	0/25 bar	RF40 D231	85017231
40 mm	G $\frac{1}{4}$ B	Centre back	Sheet steel, black	1,6	0/40 bar	RF40 D231	85018231
40 mm	G $\frac{1}{4}$ B	Centre back	Sheet steel, black	1,6	0/60 bar	RF40 D231	85019231
40 mm	G $\frac{1}{4}$ B	Centre back	Sheet steel, black	1,6	0/100 bar	RF40 D231	85020231
40 mm	G $\frac{1}{4}$ B	Centre back	Sheet steel, black	1,6	0/160 bar	RF40 D231	85021231
40 mm	G $\frac{1}{4}$ B	Centre back	Sheet steel, black	1,6	0/250 bar	RF40 D231	85022231



Blue part no. = in-stock items

RF50 D231

Housing \varnothing	Connection	Alignment	Housing	Accuracy class	Range	Type	Part no.
50 mm	G $\frac{1}{4}$ B	Centre back	Sheet steel, black	1,6	-1/0 bar	RF50 D231	85051231
50 mm	G $\frac{1}{4}$ B	Centre back	Sheet steel, black	1,6	0/1 bar	RF50 D231	85060231
50 mm	G $\frac{1}{4}$ B	Centre back	Sheet steel, black	1,6	0/1.6 bar	RF50 D231	85061231
50 mm	G $\frac{1}{4}$ B	Centre back	Sheet steel, black	1,6	0/2.5 bar	RF50 D231	85062231
50 mm	G $\frac{1}{4}$ B	Centre back	Sheet steel, black	1,6	0/4 bar	RF50 D231	85063231
50 mm	G $\frac{1}{4}$ B	Centre back	Sheet steel, black	1,6	0/6 bar	RF50 D231	85064231
50 mm	G $\frac{1}{4}$ B	Centre back	Sheet steel, black	1,6	0/10 bar	RF50 D231	85065231
50 mm	G $\frac{1}{4}$ B	Centre back	Sheet steel, black	1,6	0/16 bar	RF50 D231	85066231
50 mm	G $\frac{1}{4}$ B	Centre back	Sheet steel, black	1,6	0/25 bar	RF50 D231	85067231
50 mm	G $\frac{1}{4}$ B	Centre back	Sheet steel, black	1,6	0/40 bar	RF50 D231	85068231
50 mm	G $\frac{1}{4}$ B	Centre back	Sheet steel, black	1,6	0/60 bar	RF50 D231	85069231



Blue part no. = in-stock items



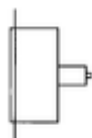
Housing Ø	Connection	Alignment	Housing	Accuracy class	Range	Type	Part no.
50 mm	G¼B	Centre back	Sheet steel, black	1,6	0/100 bar	RF50 D231	85070231
50 mm	G¼B	Centre back	Sheet steel, black	1,6	0/160 bar	RF50 D231	85071231
50 mm	G¼B	Centre back	Sheet steel, black	1,6	0/250 bar	RF50 D231	85072231
50 mm	G¼B	Centre back	Sheet steel, black	1,6	0/400 bar	RF50 D231	85073231

Blue part no. = in-stock items

RF63 D231

Housing Ø	Connection	Alignment	Housing	Accuracy class	Range	Type	Part no.
63 mm	G¼B	Centre back	Sheet steel, black	1,6	-1/0 bar	RF63 D231	85101231
63 mm	G¼B	Centre back	Sheet steel, black	1,6	-1/+0.6 bar	RF63 D231	85102231
63 mm	G¼B	Centre back	Sheet steel, black	1,6	-1/+1.5 bar	RF63 D231	85103231
63 mm	G¼B	Centre back	Sheet steel, black	1,6	-1/+3 bar	RF63 D231	85104231
63 mm	G¼B	Centre back	Sheet steel, black	1,6	-1/+5 bar	RF63 D231	85105231
63 mm	G¼B	Centre back	Sheet steel, black	1,6	-1/+9 bar	RF63 D231	85106231
63 mm	G¼B	Centre back	Sheet steel, black	1,6	-1/+15 bar	RF63 D231	85107231
63 mm	G¼B	Centre back	Sheet steel, black	1,6	0/0.6 bar	RF63 D231	85109231
63 mm	G¼B	Centre back	Sheet steel, black	1,6	0/1 bar	RF63 D231	85110231
63 mm	G¼B	Centre back	Sheet steel, black	1,6	0/1.6 bar	RF63 D231	85111231
63 mm	G¼B	Centre back	Sheet steel, black	1,6	0/2.5 bar	RF63 D231	85112231
63 mm	G¼B	Centre back	Sheet steel, black	1,6	0/4 bar	RF63 D231	85113231
63 mm	G¼B	Centre back	Sheet steel, black	1,6	0/6 bar	RF63 D231	85114231
63 mm	G¼B	Centre back	Sheet steel, black	1,6	0/10 bar	RF63 D231	85115231
63 mm	G¼B	Centre back	Sheet steel, black	1,6	0/16 bar	RF63 D231	85116231
63 mm	G¼B	Centre back	Sheet steel, black	1,6	0/25 bar	RF63 D231	85117231
63 mm	G¼B	Centre back	Sheet steel, black	1,6	0/40 bar	RF63 D231	85118231
63 mm	G¼B	Centre back	Sheet steel, black	1,6	0/60 bar	RF63 D231	85119231
63 mm	G¼B	Centre back	Sheet steel, black	1,6	0/100 bar	RF63 D231	85120231
63 mm	G¼B	Centre back	Sheet steel, black	1,6	0/160 bar	RF63 D231	85121231
63 mm	G¼B	Centre back	Sheet steel, black	1,6	0/250 bar	RF63 D231	85122231
63 mm	G¼B	Centre back	Sheet steel, black	1,6	0/400 bar	RF63 D231	85123231

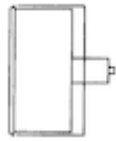
Blue part no. = in-stock items





RF40 D251

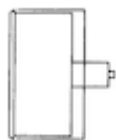
Housing Ø	Connection	Alignment	Housing	Accuracy class	Range	Type	Part no.
40 mm	G¼B	Centre back	Sheet steel, black	1,6	-1/0 bar	RF40 D251	85001251
40 mm	G¼B	Centre back	Sheet steel, black	1,6	0/1 bar	RF40 D251	85010251
40 mm	G¼B	Centre back	Sheet steel, black	1,6	0/1.6 bar	RF40 D251	85011251
40 mm	G¼B	Centre back	Sheet steel, black	1,6	0/2.5 bar	RF40 D251	85012251
40 mm	G¼B	Centre back	Sheet steel, black	1,6	0/4 bar	RF40 D251	85013251
40 mm	G¼B	Centre back	Sheet steel, black	1,6	0/6 bar	RF40 D251	85014251
40 mm	G¼B	Centre back	Sheet steel, black	1,6	0/10 bar	RF40 D251	85015251
40 mm	G¼B	Centre back	Sheet steel, black	1,6	0/16 bar	RF40 D251	85016251
40 mm	G¼B	Centre back	Sheet steel, black	1,6	0/25 bar	RF40 D251	85017251
40 mm	G¼B	Centre back	Sheet steel, black	1,6	0/40 bar	RF40 D251	85018251
40 mm	G¼B	Centre back	Sheet steel, black	1,6	0/60 bar	RF40 D251	85019251
40 mm	G¼B	Centre back	Sheet steel, black	1,6	0/100 bar	RF40 D251	85020251
40 mm	G¼B	Centre back	Sheet steel, black	1,6	0/160 bar	RF40 D251	85021251
40 mm	G¼B	Centre back	Sheet steel, black	1,6	0/250 bar	RF40 D251	85022251



Blue part no. = in-stock items

RF50 D251

Housing Ø	Connection	Alignment	Housing	Accuracy class	Range	Type	Part no.
50 mm	G¼B	Centre back	Sheet steel, black	1,6	-1/0 bar	RF50 D251	85051251
50 mm	G¼B	Centre back	Sheet steel, black	1,6	0/1 bar	RF50 D251	85060251
50 mm	G¼B	Centre back	Sheet steel, black	1,6	0/1.6 bar	RF50 D251	85061251
50 mm	G¼B	Centre back	Sheet steel, black	1,6	0/2.5 bar	RF50 D251	85062251
50 mm	G¼B	Centre back	Sheet steel, black	1,6	0/4 bar	RF50 D251	85063251
50 mm	G¼B	Centre back	Sheet steel, black	1,6	0/6 bar	RF50 D251	85064251
50 mm	G¼B	Centre back	Sheet steel, black	1,6	0/10 bar	RF50 D251	85065251
50 mm	G¼B	Centre back	Sheet steel, black	1,6	0/16 bar	RF50 D251	85066251
50 mm	G¼B	Centre back	Sheet steel, black	1,6	0/25 bar	RF50 D251	85067251
50 mm	G¼B	Centre back	Sheet steel, black	1,6	0/40 bar	RF50 D251	85068251
50 mm	G¼B	Centre back	Sheet steel, black	1,6	0/60 bar	RF50 D251	85069251



Blue part no. = in-stock items



Housing Ø	Connection	Alignment	Housing	Accuracy class	Range	Type	Part no.
50 mm	G¼B	Centre back	Sheet steel, black	1,6	0/100 bar	RF50 D251	85070251
50 mm	G¼B	Centre back	Sheet steel, black	1,6	0/160 bar	RF50 D251	85071251
50 mm	G¼B	Centre back	Sheet steel, black	1,6	0/250 bar	RF50 D251	85072251
50 mm	G¼B	Centre back	Sheet steel, black	1,6	0/400 bar	RF50 D251	85073251

Blue part no. = in-stock items

RF63 D251

Housing Ø	Connection	Alignment	Housing	Accuracy class	Range	Type	Part no.
63 mm	G¼B	Centre back	Sheet steel, black	1,6	-1/0 bar	RF63 D251	85101251
63 mm	G¼B	Centre back	Sheet steel, black	1,6	-1/+0.6 bar	RF63 D251	85102251
63 mm	G¼B	Centre back	Sheet steel, black	1,6	-1/+1.5 bar	RF63 D251	85103251
63 mm	G¼B	Centre back	Sheet steel, black	1,6	-1/+3 bar	RF63 D251	85104251
63 mm	G¼B	Centre back	Sheet steel, black	1,6	-1/+5 bar	RF63 D251	85105251
63 mm	G¼B	Centre back	Sheet steel, black	1,6	-1/+9 bar	RF63 D251	85106251
63 mm	G¼B	Centre back	Sheet steel, black	1,6	-1/+15 bar	RF63 D251	85107251
63 mm	G¼B	Centre back	Sheet steel, black	1,6	0/0.6 bar	RF63 D251	85109251
63 mm	G¼B	Centre back	Sheet steel, black	1,6	0/1 bar	RF63 D251	85110251
63 mm	G¼B	Centre back	Sheet steel, black	1,6	0/1.6 bar	RF63 D251	85111251
63 mm	G¼B	Centre back	Sheet steel, black	1,6	0/2.5 bar	RF63 D251	85112251
63 mm	G¼B	Centre back	Sheet steel, black	1,6	0/4 bar	RF63 D251	85113251
63 mm	G¼B	Centre back	Sheet steel, black	1,6	0/6 bar	RF63 D251	85114251
63 mm	G¼B	Centre back	Sheet steel, black	1,6	0/10 bar	RF63 D251	85115251
63 mm	G¼B	Centre back	Sheet steel, black	1,6	0/16 bar	RF63 D251	85116251
63 mm	G¼B	Centre back	Sheet steel, black	1,6	0/25 bar	RF63 D251	85117251
63 mm	G¼B	Centre back	Sheet steel, black	1,6	0/40 bar	RF63 D251	85118251
63 mm	G¼B	Centre back	Sheet steel, black	1,6	0/60 bar	RF63 D251	85119251
63 mm	G¼B	Centre back	Sheet steel, black	1,6	0/100 bar	RF63 D251	85120251
63 mm	G¼B	Centre back	Sheet steel, black	1,6	0/160 bar	RF63 D251	85121251
63 mm	G¼B	Centre back	Sheet steel, black	1,6	0/250 bar	RF63 D251	85122251
63 mm	G¼B	Centre back	Sheet steel, black	1,6	0/400 bar	RF63 D251	85123251

Blue part no. = in-stock items

