



Bourdon tube pressure gauges for industrial applications Type D2



Benefits

- For machine and plant engineering
- Robust steel housing
- Many customised versions available

Application

For gaseous and liquid media which are not highly viscous, do not crystallise and do not attack copper alloys.

! For high measuring accuracy. For measuring gas or vapour, observe the table "Selection Criteria as per EN 837-2" (see appendix)!

Technical specifications

Type

D2

Nominal size

100

Accuracy class (EN 837-1/6)

1,0

Ranges (EN 837-1/5)

See ordering table

Application area

Static load

≤ 600 bar: Full scale value
> 600 bar: $\frac{3}{4}$ x full scale value

Dynamic load

≤ 600 bar: 0.9 x full scale value
> 600 bar: $\frac{3}{4}$ x full scale value

Short-term

≤ 600 bar: 1.3 x full scale value
> 600 bar: Full scale value

Operating temperature range

Medium: Max. 60 °C

Ambient: -20/+60 °C

Temperature performance

Indication error when the temperature of the measuring system deviates from the normal temperature of 20 °C:
of full scale value

Degree of protection

IP 32 (EN 60529)



Standard version

Connection

Brass, bottom or bottom back

Measuring element

Bourdon tube

≤ 60 bar: "C" type tube, Copper alloy

> 60 bar: Helical tube, stainless steel 316 Ti/316 L

Movement

Brass

Dial

Aluminium, white

Scaling black

Pointer

Aluminium, black

Housing

Sheet steel, black

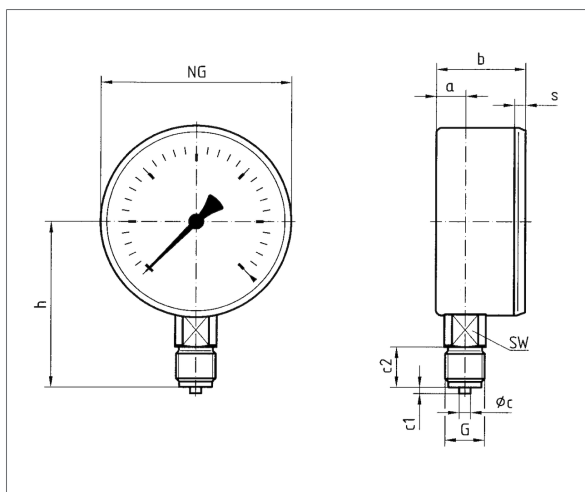
Window

Plastic, clipped in

Options

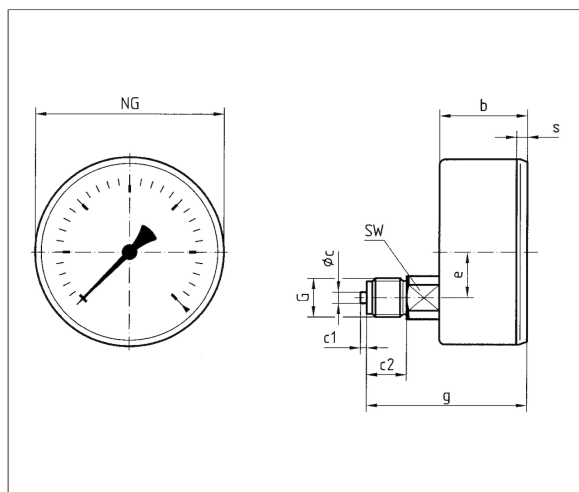
- Damping screw
- Reference pointer
- Electrical contacts
- Special scales
- Other process connections

Technical drawings



Dimensions (mm)

| NG | a | b | ∅c | c1 | c2 | G | h | s | SW |
|-----|------|----|----|----|----|-----|----|-----|----|
| 100 | 15,6 | 44 | 6 | 3 | 20 | G½B | 86 | 3,5 | 22 |



Dimensions (mm)

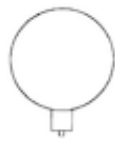
| NG | b | ∅c | c1 | c2 | e | G | g | s | SW |
|-----|----|----|----|----|------|-----|----|-----|----|
| 100 | 44 | 6 | 3 | 20 | 26,5 | G½B | 76 | 3,5 | 22 |



Versions

RF100I D201

| Housing \varnothing | Connection | Alignment | Housing | Accuracy class | Range | Type | Part no. |
|-----------------------|------------|-----------|--------------------|----------------|-------------|-------------|--------------------------|
| 100 mm | G½B | Bottom | Sheet steel, black | 1,0 | -1/0 bar | RF100I D201 | 85301201 |
| 100 mm | G½B | Bottom | Sheet steel, black | 1,0 | -1/+0.6 bar | RF100I D201 | 85302201 |
| 100 mm | G½B | Bottom | Sheet steel, black | 1,0 | -1/+1.5 bar | RF100I D201 | 85303201 |
| 100 mm | G½B | Bottom | Sheet steel, black | 1,0 | -1/+3 bar | RF100I D201 | 85304201 |
| 100 mm | G½B | Bottom | Sheet steel, black | 1,0 | -1/+5 bar | RF100I D201 | 85305201 |
| 100 mm | G½B | Bottom | Sheet steel, black | 1,0 | -1/+9 bar | RF100I D201 | 85306201 |
| 100 mm | G½B | Bottom | Sheet steel, black | 1,0 | -1/+15 bar | RF100I D201 | 85307201 |
| 100 mm | G½B | Bottom | Sheet steel, black | 1,0 | 0/0.6 bar | RF100I D201 | 85309201 |
| 100 mm | G½B | Bottom | Sheet steel, black | 1,0 | 0/1 bar | RF100I D201 | 85310201 |
| 100 mm | G½B | Bottom | Sheet steel, black | 1,0 | 0/1.6 bar | RF100I D201 | 85311201 |
| 100 mm | G½B | Bottom | Sheet steel, black | 1,0 | 0/2.5 bar | RF100I D201 | 85312201 |
| 100 mm | G½B | Bottom | Sheet steel, black | 1,0 | 0/4 bar | RF100I D201 | 85313201 |
| 100 mm | G½B | Bottom | Sheet steel, black | 1,0 | 0/6 bar | RF100I D201 | 85314201 |
| 100 mm | G½B | Bottom | Sheet steel, black | 1,0 | 0/10 bar | RF100I D201 | 85315201 |
| 100 mm | G½B | Bottom | Sheet steel, black | 1,0 | 0/16 bar | RF100I D201 | 85316201 |
| 100 mm | G½B | Bottom | Sheet steel, black | 1,0 | 0/25 bar | RF100I D201 | 85317201 |
| 100 mm | G½B | Bottom | Sheet steel, black | 1,0 | 0/40 bar | RF100I D201 | 85318201 |
| 100 mm | G½B | Bottom | Sheet steel, black | 1,0 | 0/60 bar | RF100I D201 | 85319201 |
| 100 mm | G½B | Bottom | Sheet steel, black | 1,0 | 0/100 bar | RF100I D201 | 85320201 |
| 100 mm | G½B | Bottom | Sheet steel, black | 1,0 | 0/160 bar | RF100I D201 | 85321201 |
| 100 mm | G½B | Bottom | Sheet steel, black | 1,0 | 0/250 bar | RF100I D201 | 85322201 |
| 100 mm | G½B | Bottom | Sheet steel, black | 1,0 | 0/400 bar | RF100I D201 | 85323201 |
| 100 mm | G½B | Bottom | Sheet steel, black | 1,0 | 0/600 bar | RF100I D201 | 85324201 |
| 100 mm | G½B | Bottom | Sheet steel, black | 1,0 | 0/1,000 bar | RF100I D201 | 85325201 |

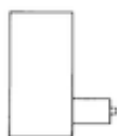


Blue part no. = in-stock items



RF100I D211

| Housing \varnothing | Connection | Alignment | Housing | Accuracy class | Range | Type | Part no. |
|-----------------------|-------------------|-------------|--------------------|----------------|-------------|-------------|----------|
| 100 mm | G $\frac{1}{2}$ B | Bottom back | Sheet steel, black | 1,0 | -1/0 bar | RF100I D211 | 85301211 |
| 100 mm | G $\frac{1}{2}$ B | Bottom back | Sheet steel, black | 1,0 | -1/+0.6 bar | RF100I D211 | 85302211 |
| 100 mm | G $\frac{1}{2}$ B | Bottom back | Sheet steel, black | 1,0 | -1/+1.5 bar | RF100I D211 | 85303211 |
| 100 mm | G $\frac{1}{2}$ B | Bottom back | Sheet steel, black | 1,0 | -1/+3 bar | RF100I D211 | 85304211 |
| 100 mm | G $\frac{1}{2}$ B | Bottom back | Sheet steel, black | 1,0 | -1/+5 bar | RF100I D211 | 85305211 |
| 100 mm | G $\frac{1}{2}$ B | Bottom back | Sheet steel, black | 1,0 | -1/+9 bar | RF100I D211 | 85306211 |
| 100 mm | G $\frac{1}{2}$ B | Bottom back | Sheet steel, black | 1,0 | -1/+15 bar | RF100I D211 | 85307211 |
| 100 mm | G $\frac{1}{2}$ B | Bottom back | Sheet steel, black | 1,0 | 0/0.6 bar | RF100I D211 | 85309211 |
| 100 mm | G $\frac{1}{2}$ B | Bottom back | Sheet steel, black | 1,0 | 0/1 bar | RF100I D211 | 85310211 |
| 100 mm | G $\frac{1}{2}$ B | Bottom back | Sheet steel, black | 1,0 | 0/1.6 bar | RF100I D211 | 85311211 |
| 100 mm | G $\frac{1}{2}$ B | Bottom back | Sheet steel, black | 1,0 | 0/2.5 bar | RF100I D211 | 85312211 |
| 100 mm | G $\frac{1}{2}$ B | Bottom back | Sheet steel, black | 1,0 | 0/4 bar | RF100I D211 | 85313211 |
| 100 mm | G $\frac{1}{2}$ B | Bottom back | Sheet steel, black | 1,0 | 0/6 bar | RF100I D211 | 85314211 |
| 100 mm | G $\frac{1}{2}$ B | Bottom back | Sheet steel, black | 1,0 | 0/10 bar | RF100I D211 | 85315211 |
| 100 mm | G $\frac{1}{2}$ B | Bottom back | Sheet steel, black | 1,0 | 0/16 bar | RF100I D211 | 85316211 |
| 100 mm | G $\frac{1}{2}$ B | Bottom back | Sheet steel, black | 1,0 | 0/25 bar | RF100I D211 | 85317211 |
| 100 mm | G $\frac{1}{2}$ B | Bottom back | Sheet steel, black | 1,0 | 0/40 bar | RF100I D211 | 85318211 |
| 100 mm | G $\frac{1}{2}$ B | Bottom back | Sheet steel, black | 1,0 | 0/60 bar | RF100I D211 | 85319211 |
| 100 mm | G $\frac{1}{2}$ B | Bottom back | Sheet steel, black | 1,0 | 0/100 bar | RF100I D211 | 85320211 |
| 100 mm | G $\frac{1}{2}$ B | Bottom back | Sheet steel, black | 1,0 | 0/160 bar | RF100I D211 | 85321211 |
| 100 mm | G $\frac{1}{2}$ B | Bottom back | Sheet steel, black | 1,0 | 0/250 bar | RF100I D211 | 85322211 |
| 100 mm | G $\frac{1}{2}$ B | Bottom back | Sheet steel, black | 1,0 | 0/400 bar | RF100I D211 | 85323211 |
| 100 mm | G $\frac{1}{2}$ B | Bottom back | Sheet steel, black | 1,0 | 0/600 bar | RF100I D211 | 85324211 |



Blue part no. = in-stock items