

Bimetal thermometers BiTh K with plastic thermowell



Benefits

- Range: 0/60 °C
- Stem made of plastic

Application

Heating, plumbing, distribution systems, underfloor heating distributors

Technical specifications

Nominal size
50

Measuring element
Bimetal helix

Accuracy class
2 (EN 13190)

Standard version

Connection
Stem: Plastic, Ø 9 mm
Thermowell: G½B, Plastic, Ø 14 mm, removable

Mounting position
Centre back

Dial
Plastic, white
Scaling black

Ranges °C
0/60

Application area
Full scale value

Operating pressure at thermowell
Max. 6 bar

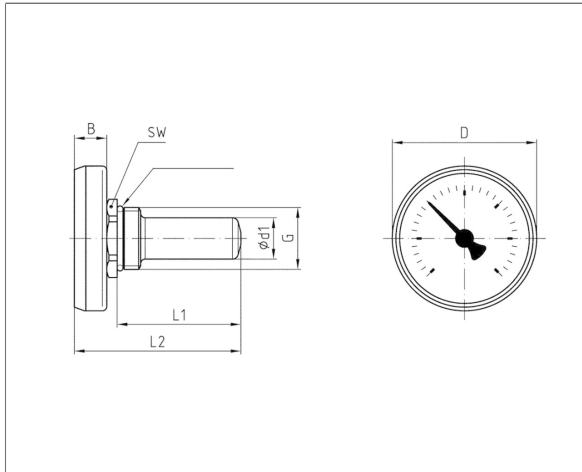
Pointer
Plastic, black

Housing
ABS, white

Window
Plastic, clipped in

Technical drawings

Centre back connection, NG 50

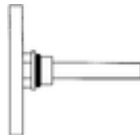


Dimensions (mm)

| NG | B | D | d1 | G | L1 | L2 | SW |
|----|----|----|----|-------------------|----|------|----|
| 50 | 11 | 49 | 14 | G $\frac{1}{2}$ B | 42 | 56,5 | 24 |

Versions

BiTh 50 K

| | Housing \varnothing | Connection | Mounting position | Range | Stem length | Type | Part no. |
|-------------------------------------------------------------------------------------|-----------------------|------------|-------------------|---------|-------------|-----------|----------|
|  | 50 mm | Thermowell | Centre back | 0/60 °C | 40 mm | BiTh 50 K | 63749 |

Blue part no. = in-stock items