

Resistance thermometers WTh 21



Benefits

- Indoor and outdoor resistance thermometer for wall mounting
- Pt100 sensor

Application

Indoor and outdoor resistance thermometer for wall mounting

Technical specifications

Sensor

1 x Pt100
3-wire
Class B, IEC 751

Probe

∅ 6 x 42 mm
Stainless steel 316 Ti

Installation length

44 mm

Electrical connection

Cable gland

Options

- Open probe
- Sensor class A
- Sensor Pt1000/Ni1000

Housing

Impact-resistant plastic
W x H x D: 58 x 64 x 36 mm

Degree of protection

IP 65 (EN 60529)

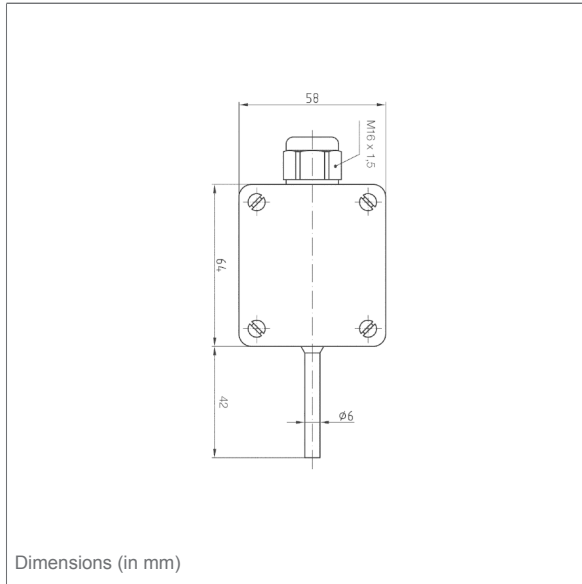
Measuring range

-50/+90 °C




Technical drawings

Type WTh 21



Versions

	Installation length	Part no.
 Resistance thermometers WTh 21	44 mm	32400

Blue part no. = in-stock items