



Precision Bourdon tube pressure gauges Type D4 - class 0.6



Benefits

- High accuracy (class 0.6)
- Housing can be sealed
- Serial number on dial
- Suitable as measuring equipment as per QA requirements
- DNV- and GOSSTANDART-certified



Application

For gaseous and liquid media which are not corrosive and not highly viscous and which do not crystallise. For high measuring accuracy. ! For measuring gas or vapour, observe the table "Selection Criteria as per EN 837-2" (see appendix)!

Technical specifications

Type

D4

Nominal size

160

Accuracy class (EN 837-1/6)

0,6

Ranges

See ordering table

Calibration medium

≤ 40 bar: Air
> 40 bar: Water

Application area

Static load: Full scale value, $\frac{3}{4}$ x full scale value
Dynamic load: 0.9 x full scale value, $\frac{2}{3}$ x full scale value
Short-term: Full scale value

Operating temperature range

Medium: Max. 60 °C
Ambient: -20/+60 °C

Temperature performance

Indication error when the temperature of the measuring system deviates from the normal temperature of 20 °C:
at rising temperature approx. $\pm 0.4 \%$ /10 K
falling temperature approx. $\pm 0.4 \%$ /10 K
of full scale value

Degree of protection

IP 54 (EN 60529)



Standard version

Connection

Brass, bottom or bottom back
Stainless steel 316 Ti/316 L, bottom or bottom back

Measuring element

Bourdon tube
≤ 60 bar: "C" type tube, Copper alloy "C" type tube, stainless steel 316 Ti/316 L
> 60 bar: Helical tube, stainless steel 316 Ti/316 L

Movement

Brass/nickel silver, jewel bearing

Dial

Aluminium, white
Scaling black

Pointer

Knife edge pointer
Aluminium, black

Housing

Stainless steel 304

Bayonet type bezel

Stainless steel 304

Window

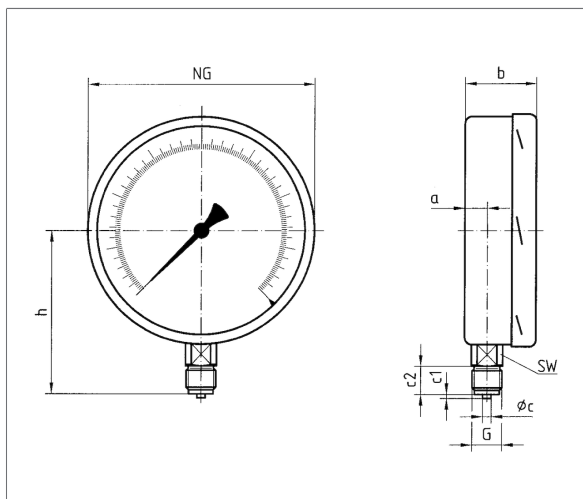
Plastic (PMMA)

Options

- Factory test certificates
- Glycerine filling (type D 8) > 2.5 bar
- Wetted parts stainless steel (type D 4x2)
- Laminated safety glass window
- Back flange
- 3-hole fixing, panel mounting bezel
- Damping screw
- Special scales
- Other process connections
- Glycerine filling (type D 8)

Technical drawings

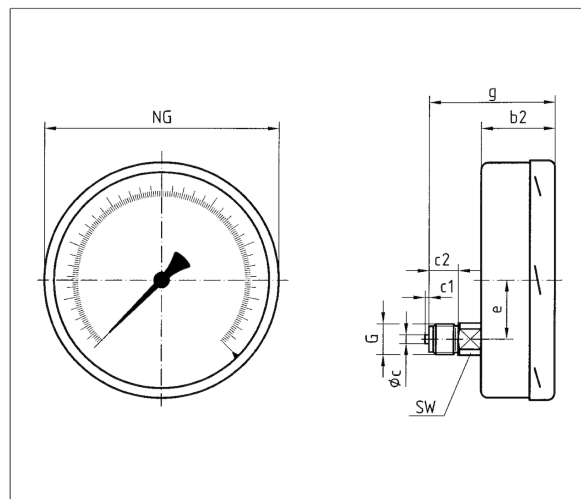
Bottom connection



Dimensions (mm)

NG	a	b	∅c	c1	c2	G	h	SW
160	17,5	50	6	3	20	G½B	116	22
250	16	57	6	3	20	G½B	165	22

NG 160 – bottom back connection

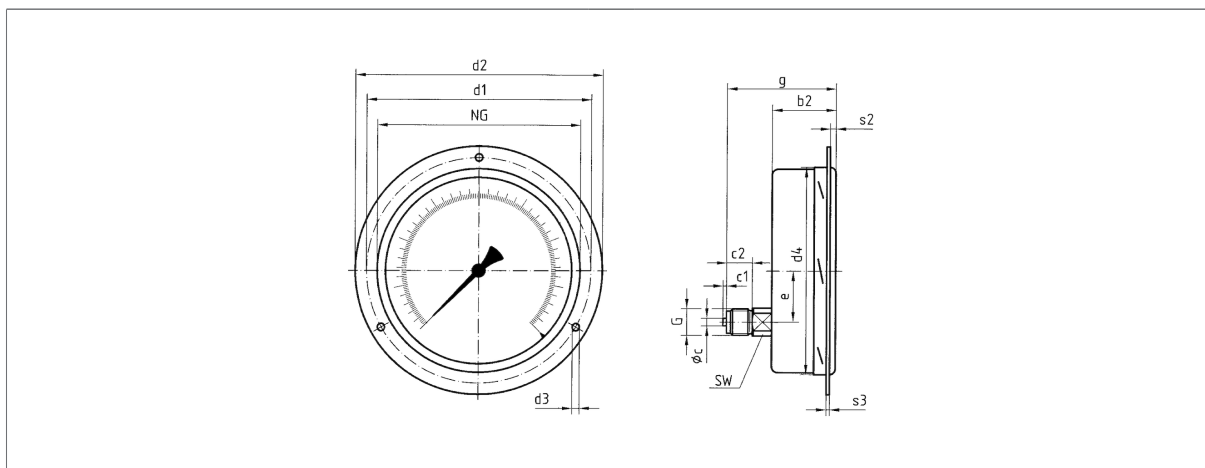


Dimensions (mm)

NG	b2	∅c	c1	c2	e	G	g	SW
160	50	6	3	20	44,5	G½B	82	22



NG 160 – bottom back connection, 3-hole fixing, panel mounting bezel



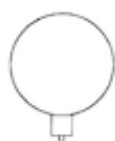
Dimensions (mm)

NG	b2	Øc	c1	c2	d1*	d2	d3*	d4	e	G	g	s2	s3	SW
160	50	6	3	20	178	196	5,8	164	44,5	G½B	82	4	2	22

Versions

RF160F D401

Housing ø	Connection	Alignment	Housing	Accuracy class	Range	Type	Part no.
160 mm	G½B	Bottom	Stainless steel 304	0,6	-1/0 bar	RF160F D401	85701401
160 mm	G½B	Bottom	Stainless steel 304	0,6	-1/+0.6 bar	RF160F D401	85702401
160 mm	G½B	Bottom	Stainless steel 304	0,6	-1/+1.5 bar	RF160F D401	85703401
160 mm	G½B	Bottom	Stainless steel 304	0,6	-1/+3 bar	RF160F D401	85704401
160 mm	G½B	Bottom	Stainless steel 304	0,6	-1/+5 bar	RF160F D401	85705401
160 mm	G½B	Bottom	Stainless steel 304	0,6	-1/+9 bar	RF160F D401	85706401
160 mm	G½B	Bottom	Stainless steel 304	0,6	-1/+15 bar	RF160F D401	85707401
160 mm	G½B	Bottom	Stainless steel 304	0,6	0/0.6 bar	RF160F D401	85709401
160 mm	G½B	Bottom	Stainless steel 304	0,6	0/1 bar	RF160F D401	85710401
160 mm	G½B	Bottom	Stainless steel 304	0,6	0/1.6 bar	RF160F D401	85711401
160 mm	G½B	Bottom	Stainless steel 304	0,6	0/2.5 bar	RF160F D401	85712401
160 mm	G½B	Bottom	Stainless steel 304	0,6	0/4 bar	RF160F D401	85713401
160 mm	G½B	Bottom	Stainless steel 304	0,6	0/6 bar	RF160F D401	85714401
160 mm	G½B	Bottom	Stainless steel 304	0,6	0/10 bar	RF160F D401	85715401



Blue part no. = in-stock items



Housing [⊙]	Connection	Alignment	Housing	Accuracy class	Range	Type	Part no.
160 mm	G½B	Bottom	Stainless steel 304	0,6	0/16 bar	RF160F D401	85716401
160 mm	G½B	Bottom	Stainless steel 304	0,6	0/25 bar	RF160F D401	85717401
160 mm	G½B	Bottom	Stainless steel 304	0,6	0/40 bar	RF160F D401	85718401
160 mm	G½B	Bottom	Stainless steel 304	0,6	0/60 bar	RF160F D401	85719401
160 mm	G½B	Bottom	Stainless steel 304	0,6	0/100 bar	RF160F D401	85720401
160 mm	G½B	Bottom	Stainless steel 304	0,6	0/160 bar	RF160F D401	85721401
160 mm	G½B	Bottom	Stainless steel 304	0,6	0/250 bar	RF160F D401	85722401
160 mm	G½B	Bottom	Stainless steel 304	0,6	0/400 bar	RF160F D401	85723401

Blue part no. = in-stock items

RF160F D411

Housing [⊙]	Connection	Alignment	Housing	Accuracy class	Range	Type	Part no.
160 mm	G½B	Bottom back	Stainless steel 304	0,6	-1/0 bar	RF160F D411	85701411
160 mm	G½B	Bottom back	Stainless steel 304	0,6	-1/+0.6 bar	RF160F D411	85702411
160 mm	G½B	Bottom back	Stainless steel 304	0,6	-1/+1.5 bar	RF160F D411	85703411
160 mm	G½B	Bottom back	Stainless steel 304	0,6	-1/+3 bar	RF160F D411	85704411
160 mm	G½B	Bottom back	Stainless steel 304	0,6	-1/+5 bar	RF160F D411	85705411
160 mm	G½B	Bottom back	Stainless steel 304	0,6	-1/+9 bar	RF160F D411	85706411
160 mm	G½B	Bottom back	Stainless steel 304	0,6	-1/+15 bar	RF160F D411	85707411
160 mm	G½B	Bottom back	Stainless steel 304	0,6	0/0.6 bar	RF160F D411	85709411
160 mm	G½B	Bottom back	Stainless steel 304	0,6	0/1 bar	RF160F D411	85710411
160 mm	G½B	Bottom back	Stainless steel 304	0,6	0/1.6 bar	RF160F D411	85711411
160 mm	G½B	Bottom back	Stainless steel 304	0,6	0/2.5 bar	RF160F D411	85712411
160 mm	G½B	Bottom back	Stainless steel 304	0,6	0/4 bar	RF160F D411	85713411
160 mm	G½B	Bottom back	Stainless steel 304	0,6	0/6 bar	RF160F D411	85714411
160 mm	G½B	Bottom back	Stainless steel 304	0,6	0/10 bar	RF160F D411	85715411
160 mm	G½B	Bottom back	Stainless steel 304	0,6	0/16 bar	RF160F D411	85716411
160 mm	G½B	Bottom back	Stainless steel 304	0,6	0/25 bar	RF160F D411	85717411
160 mm	G½B	Bottom back	Stainless steel 304	0,6	0/40 bar	RF160F D411	85718411
160 mm	G½B	Bottom back	Stainless steel 304	0,6	0/60 bar	RF160F D411	85719411

Blue part no. = in-stock items





Housing \varnothing	Connection	Alignment	Housing	Accuracy class	Range	Type	Part no.
160 mm	G½B	Bottom back	Stainless steel 304	0,6	0/100 bar	RF160F D411	85720411
160 mm	G½B	Bottom back	Stainless steel 304	0,6	0/160 bar	RF160F D411	85721411
160 mm	G½B	Bottom back	Stainless steel 304	0,6	0/250 bar	RF160F D411	85722411
160 mm	G½B	Bottom back	Stainless steel 304	0,6	0/400 bar	RF160F D411	85723411

Blue part no. = in-stock items

RF160F D431

Housing \varnothing	Connection	Alignment	Housing	Accuracy class	Range	Type	Part no.
160 mm	G½B	Bottom back	Stainless steel 304	0,6	-1/0 bar	RF160F D431	85701431
160 mm	G½B	Bottom back	Stainless steel 304	0,6	-1/+0.6 bar	RF160F D431	85702431
160 mm	G½B	Bottom back	Stainless steel 304	0,6	-1/+1.5 bar	RF160F D431	85703431
160 mm	G½B	Bottom back	Stainless steel 304	0,6	-1/+3 bar	RF160F D431	85704431
160 mm	G½B	Bottom back	Stainless steel 304	0,6	-1/+5 bar	RF160F D431	85705431
160 mm	G½B	Bottom back	Stainless steel 304	0,6	-1/+9 bar	RF160F D431	85706431
160 mm	G½B	Bottom back	Stainless steel 304	0,6	-1/+15 bar	RF160F D431	85707431
160 mm	G½B	Bottom back	Stainless steel 304	0,6	0/0.6 bar	RF160F D431	85709431
160 mm	G½B	Bottom back	Stainless steel 304	0,6	0/1 bar	RF160F D431	85710431
160 mm	G½B	Bottom back	Stainless steel 304	0,6	0/1.6 bar	RF160F D431	85711431
160 mm	G½B	Bottom back	Stainless steel 304	0,6	0/2.5 bar	RF160F D431	85712431
160 mm	G½B	Bottom back	Stainless steel 304	0,6	0/4 bar	RF160F D431	85713431
160 mm	G½B	Bottom back	Stainless steel 304	0,6	0/6 bar	RF160F D431	85714431
160 mm	G½B	Bottom back	Stainless steel 304	0,6	0/10 bar	RF160F D431	85715431
160 mm	G½B	Bottom back	Stainless steel 304	0,6	0/16 bar	RF160F D431	85716431
160 mm	G½B	Bottom back	Stainless steel 304	0,6	0/25 bar	RF160F D431	85717431
160 mm	G½B	Bottom back	Stainless steel 304	0,6	0/40 bar	RF160F D431	85718431
160 mm	G½B	Bottom back	Stainless steel 304	0,6	0/60 bar	RF160F D431	85719431
160 mm	G½B	Bottom back	Stainless steel 304	0,6	0/100 bar	RF160F D431	85720431
160 mm	G½B	Bottom back	Stainless steel 304	0,6	0/160 bar	RF160F D431	85721431
160 mm	G½B	Bottom back	Stainless steel 304	0,6	0/250 bar	RF160F D431	85722431
160 mm	G½B	Bottom back	Stainless steel 304	0,6	0/400 bar	RF160F D431	85723431

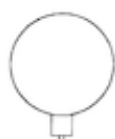
Blue part no. = in-stock items





RF160ChF D402

Housing \varnothing	Connection	Alignment	Housing	Accuracy class	Range	Type	Part no.
160 mm	G½B	Bottom	Stainless steel 304	0,6	-1/0 bar	RF160ChF D402	85701402
160 mm	G½B	Bottom	Stainless steel 304	0,6	-1/+0.6 bar	RF160ChF D402	85702402
160 mm	G½B	Bottom	Stainless steel 304	0,6	-1/+1.5 bar	RF160ChF D402	85703402
160 mm	G½B	Bottom	Stainless steel 304	0,6	-1/+3 bar	RF160ChF D402	85704402
160 mm	G½B	Bottom	Stainless steel 304	0,6	-1/+5 bar	RF160ChF D402	85705402
160 mm	G½B	Bottom	Stainless steel 304	0,6	-1/+9 bar	RF160ChF D402	85706402
160 mm	G½B	Bottom	Stainless steel 304	0,6	-1/+15 bar	RF160ChF D402	85707402
160 mm	G½B	Bottom	Stainless steel 304	0,6	0/0.6 bar	RF160ChF D402	85709402
160 mm	G½B	Bottom	Stainless steel 304	0,6	0/1 bar	RF160ChF D402	85710402
160 mm	G½B	Bottom	Stainless steel 304	0,6	0/1.6 bar	RF160ChF D402	85711402
160 mm	G½B	Bottom	Stainless steel 304	0,6	0/2.5 bar	RF160ChF D402	85712402
160 mm	G½B	Bottom	Stainless steel 304	0,6	0/4 bar	RF160ChF D402	85713402
160 mm	G½B	Bottom	Stainless steel 304	0,6	0/6 bar	RF160ChF D402	85714402
160 mm	G½B	Bottom	Stainless steel 304	0,6	0/10 bar	RF160ChF D402	85715402
160 mm	G½B	Bottom	Stainless steel 304	0,6	0/16 bar	RF160ChF D402	85716402
160 mm	G½B	Bottom	Stainless steel 304	0,6	0/25 bar	RF160ChF D402	85717402
160 mm	G½B	Bottom	Stainless steel 304	0,6	0/40 bar	RF160ChF D402	85718402
160 mm	G½B	Bottom	Stainless steel 304	0,6	0/60 bar	RF160ChF D402	85719402
160 mm	G½B	Bottom	Stainless steel 304	0,6	0/100 bar	RF160ChF D402	85720402
160 mm	G½B	Bottom	Stainless steel 304	0,6	0/160 bar	RF160ChF D402	85721402
160 mm	G½B	Bottom	Stainless steel 304	0,6	0/250 bar	RF160ChF D402	85722402
160 mm	G½B	Bottom	Stainless steel 304	0,6	0/400 bar	RF160ChF D402	85723402

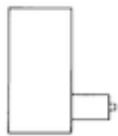


Blue part no. = in-stock items



RF160ChF D412

Housing \varnothing	Connection	Alignment	Housing	Accuracy class	Range	Type	Part no.
160 mm	G½B	Bottom back	Stainless steel 304	0,6	-1/0 bar	RF160ChF D412	85701412
160 mm	G½B	Bottom back	Stainless steel 304	0,6	-1/+0.6 bar	RF160ChF D412	85702412
160 mm	G½B	Bottom back	Stainless steel 304	0,6	-1/+1.5 bar	RF160ChF D412	85703412
160 mm	G½B	Bottom back	Stainless steel 304	0,6	-1/+3 bar	RF160ChF D412	85704412
160 mm	G½B	Bottom back	Stainless steel 304	0,6	-1/+5 bar	RF160ChF D412	85705412
160 mm	G½B	Bottom back	Stainless steel 304	0,6	-1/+9 bar	RF160ChF D412	85706412
160 mm	G½B	Bottom back	Stainless steel 304	0,6	-1/+15 bar	RF160ChF D412	85707412
160 mm	G½B	Bottom back	Stainless steel 304	0,6	0/0.6 bar	RF160ChF D412	85709412
160 mm	G½B	Bottom back	Stainless steel 304	0,6	0/1 bar	RF160ChF D412	85710412
160 mm	G½B	Bottom back	Stainless steel 304	0,6	0/1.6 bar	RF160ChF D412	85711412
160 mm	G½B	Bottom back	Stainless steel 304	0,6	0/2.5 bar	RF160ChF D412	85712412
160 mm	G½B	Bottom back	Stainless steel 304	0,6	0/4 bar	RF160ChF D412	85713412
160 mm	G½B	Bottom back	Stainless steel 304	0,6	0/6 bar	RF160ChF D412	85714412
160 mm	G½B	Bottom back	Stainless steel 304	0,6	0/10 bar	RF160ChF D412	85715412
160 mm	G½B	Bottom back	Stainless steel 304	0,6	0/16 bar	RF160ChF D412	85716412
160 mm	G½B	Bottom back	Stainless steel 304	0,6	0/25 bar	RF160ChF D412	85717412
160 mm	G½B	Bottom back	Stainless steel 304	0,6	0/40 bar	RF160ChF D412	85718412
160 mm	G½B	Bottom back	Stainless steel 304	0,6	0/60 bar	RF160ChF D412	85719412
160 mm	G½B	Bottom back	Stainless steel 304	0,6	0/100 bar	RF160ChF D412	85720412
160 mm	G½B	Bottom back	Stainless steel 304	0,6	0/160 bar	RF160ChF D412	85721412
160 mm	G½B	Bottom back	Stainless steel 304	0,6	0/250 bar	RF160ChF D412	85722412
160 mm	G½B	Bottom back	Stainless steel 304	0,6	0/400 bar	RF160ChF D412	85723412



Blue part no. = in-stock items



RF160ChF D432

Housing \varnothing	Connection	Alignment	Housing	Accuracy class	Range	Type	Part no.
160 mm	G½B	Bottom back	Stainless steel 304	0,6	-1/0 bar	RF160ChF D432	85701432
160 mm	G½B	Bottom back	Stainless steel 304	0,6	-1/+0.6 bar	RF160ChF D432	85702432
160 mm	G½B	Bottom back	Stainless steel 304	0,6	-1/+1.5 bar	RF160ChF D432	85703432
160 mm	G½B	Bottom back	Stainless steel 304	0,6	-1/+3 bar	RF160ChF D432	85704432
160 mm	G½B	Bottom back	Stainless steel 304	0,6	-1/+5 bar	RF160ChF D432	85705432
160 mm	G½B	Bottom back	Stainless steel 304	0,6	-1/+9 bar	RF160ChF D432	85706432
160 mm	G½B	Bottom back	Stainless steel 304	0,6	-1/+15 bar	RF160ChF D432	85707432
160 mm	G½B	Bottom back	Stainless steel 304	0,6	0/0.6 bar	RF160ChF D432	85709432
160 mm	G½B	Bottom back	Stainless steel 304	0,6	0/1 bar	RF160ChF D432	85710432
160 mm	G½B	Bottom back	Stainless steel 304	0,6	0/1.6 bar	RF160ChF D432	85711432
160 mm	G½B	Bottom back	Stainless steel 304	0,6	0/2.5 bar	RF160ChF D432	85712432
160 mm	G½B	Bottom back	Stainless steel 304	0,6	0/4 bar	RF160ChF D432	85713432
160 mm	G½B	Bottom back	Stainless steel 304	0,6	0/6 bar	RF160ChF D432	85714432
160 mm	G½B	Bottom back	Stainless steel 304	0,6	0/10 bar	RF160ChF D432	85715432
160 mm	G½B	Bottom back	Stainless steel 304	0,6	0/16 bar	RF160ChF D432	85716432
160 mm	G½B	Bottom back	Stainless steel 304	0,6	0/25 bar	RF160ChF D432	85717432
160 mm	G½B	Bottom back	Stainless steel 304	0,6	0/40 bar	RF160ChF D432	85718432
160 mm	G½B	Bottom back	Stainless steel 304	0,6	0/60 bar	RF160ChF D432	85719432
160 mm	G½B	Bottom back	Stainless steel 304	0,6	0/100 bar	RF160ChF D432	85720432
160 mm	G½B	Bottom back	Stainless steel 304	0,6	0/160 bar	RF160ChF D432	85721432
160 mm	G½B	Bottom back	Stainless steel 304	0,6	0/250 bar	RF160ChF D432	85722432
160 mm	G½B	Bottom back	Stainless steel 304	0,6	0/400 bar	RF160ChF D432	85723432



Blue part no. = in-stock items