

Resistance thermometers WTh 22



Benefits

- For use in air ducts
- Pt100 sensor
- With adjustable mounting flange (stainless steel)

Application

Resistance thermometer especially for use in air ducts

Technical specifications

Sensor

1 x Pt100
3-wire
Class B, IEC 751

Probe

Ø 8 mm, Perforated
Stainless steel 316 Ti

Process connection

Mounting flange Ø 40 mm, adjustable
Stainless steel

Installation length

100, 160, 250 mm

Electrical connection

Cable gland

Housing

Impact-resistant plastic
W x H x D: 58 x 64 x 36 mm

Degree of protection

IP 54 (EN 60529)

Measuring range

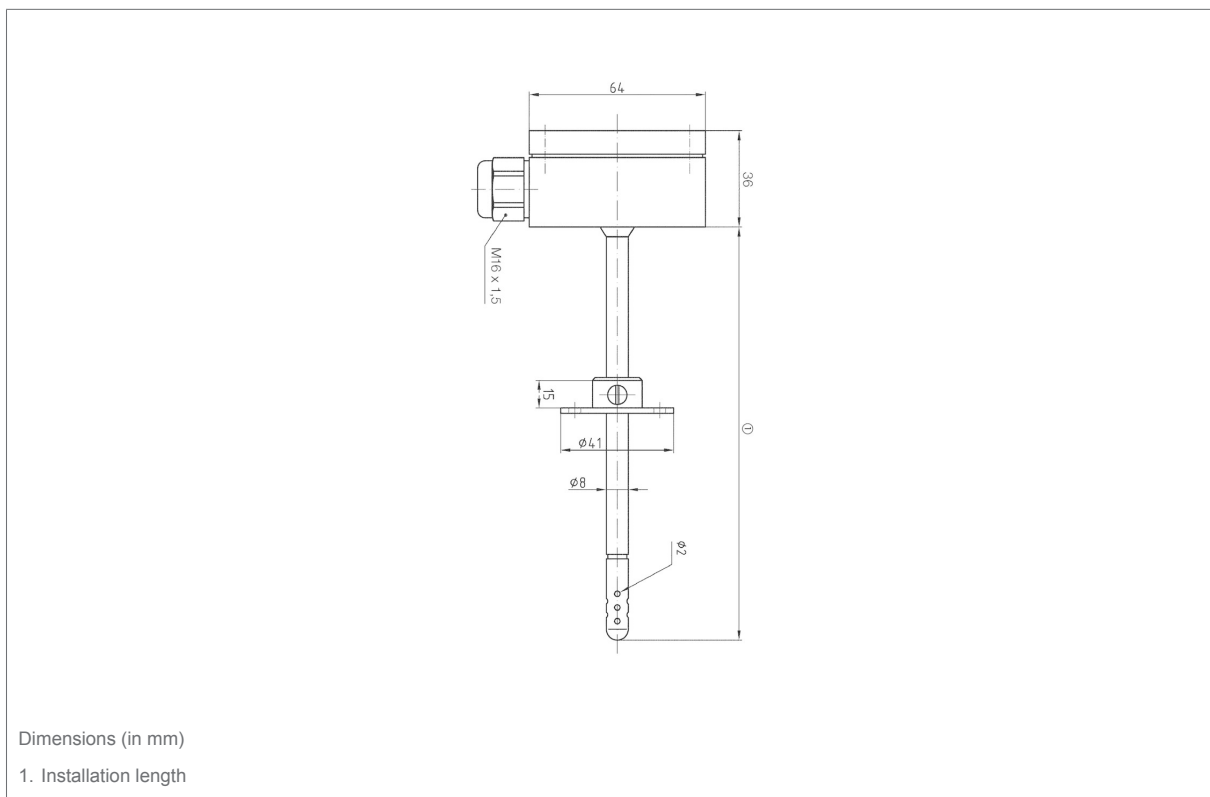
0/130 °C

Options

- Process connection G $\frac{1}{2}$ B (compression fitting or fixed male connection)
- Sensor class A
- Sensor Pt1000
- Transmitter installation (standard: 0/100 °C = 4-20 mA)

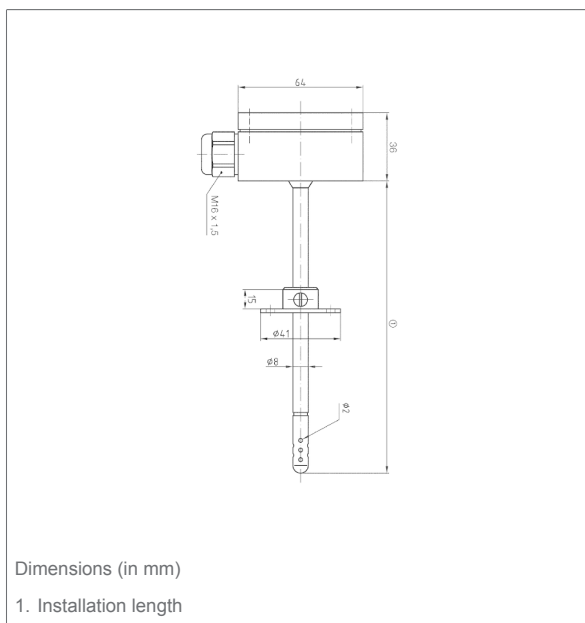
Detail views

Type WTh 22



Technical drawings

Type WTh 22





Versions

		Installation length	Part no.
	Resistance thermometers WTh 22	100 mm	32215
	Resistance thermometers WTh 22	160 mm	32216
	Resistance thermometers WTh 22	250 mm	32217

Blue part no. = in-stock items