



Bourdon tube safety pressure gauges Type D8 with glycerine filling



Benefits

- Safety housing S3 as per EN 837-1/9.7.2
- Measuring system fully welded to housing
- Tightness-tested with helium
- DNV- and GOSSTANDART-certified
- Ex version (optional)

Application

For corrosive gaseous and liquid media which are not highly viscous and do not crystallise; suitable for corrosive environments. This gauge is designed for applications as per EN 837-1/9.7.2.

Technical specifications

Type
D8

Nominal size
63 – 100 – 160

Accuracy class
EN 837-1/6

NG 63, ≤ 400 bar: 1,6

NG 63, ≥ 600 bar: 2,5

NG 100: 1,0

NG 160: 1,0

Ranges (EN 837-1/5)
See ordering table

Application area
NG 100, NG 160

Static load

≤ 600 bar: Full scale value

> 600 bar: ¼ x full scale value

Dynamic load

≤ 600 bar: 0.9 x full scale value

> 600 bar: ⅔ x full scale value

Short-term

≤ 600 bar: 1.3 x full scale value

> 600 bar: Full scale value

Operating temperature range

Medium: Max. 100 °C

Ambient: -20/+60 °C

Degree of protection

IP 54 (EN 60529)



Standard version

Connection

Stainless steel 316 L, bottom

Measuring element

Bourdon tube, Stainless steel 316 L

Tightness-tested with helium

Movement

Stainless steel

Dial

Aluminium, white

Scaling black

Pointer

Aluminium, black

Housing

Stainless steel 304, with solid baffle wall and blow-out (S3)

Bayonet type bezel

Stainless steel 304

Window

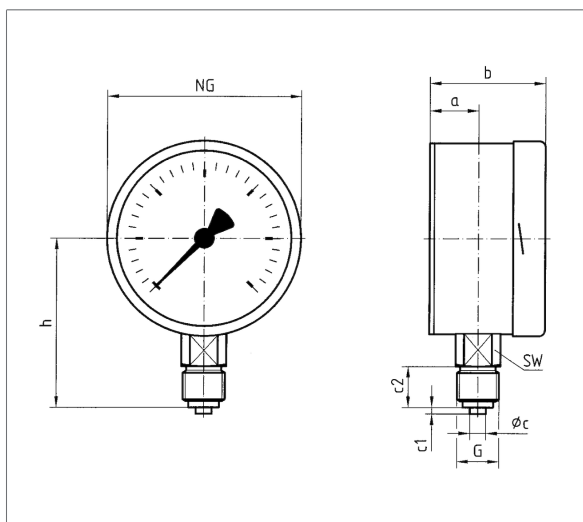
Laminated safety glass

Filling liquid

Glycerine (99.5 %)

Technical drawings

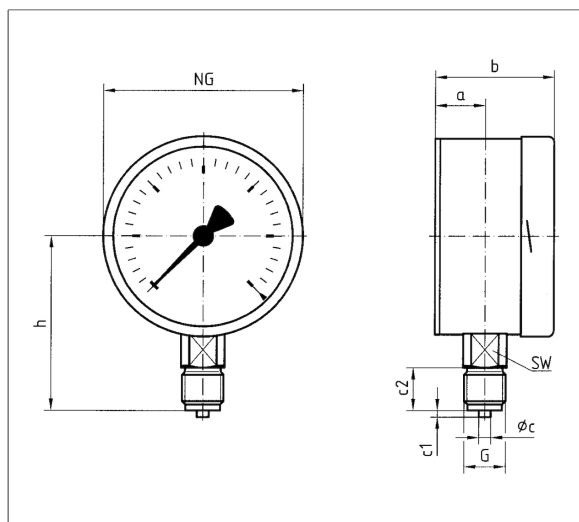
NG 63 – bottom connection



Dimensions (mm)

NG	a	b	Øc	c1	c2	G	h	SW
63	18	41	5	2	13	G¼B	53	14

NG 100/160 – bottom connection



Dimensions (mm)

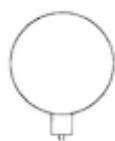
NG	a	b	Øc	c1	c2	G	h	SW
100	27	60	6	3	20	G½B	86	22
160	40	78	6	3	20	G½B	118	22



Versions

RF63SiGly D802

Housing \varnothing	Connection	Alignment	Housing	Accuracy class	Range	Type	Part no.
63 mm	G $\frac{1}{4}$ B	Bottom	Stainless steel 304	1,6	-1/0 bar	RF63SiGly D802	85401802
63 mm	G $\frac{1}{4}$ B	Bottom	Stainless steel 304	1,6	-1/+0.6 bar	RF63SiGly D802	85402802
63 mm	G $\frac{1}{4}$ B	Bottom	Stainless steel 304	1,6	-1/+1.5 bar	RF63SiGly D802	85403802
63 mm	G $\frac{1}{4}$ B	Bottom	Stainless steel 304	1,6	-1/+3 bar	RF63SiGly D802	85404802
63 mm	G $\frac{1}{4}$ B	Bottom	Stainless steel 304	1,6	-1/+5 bar	RF63SiGly D802	85405802
63 mm	G $\frac{1}{4}$ B	Bottom	Stainless steel 304	1,6	-1/+9 bar	RF63SiGly D802	85406802
63 mm	G $\frac{1}{4}$ B	Bottom	Stainless steel 304	1,6	-1/+15 bar	RF63SiGly D802	85407802
63 mm	G $\frac{1}{4}$ B	Bottom	Stainless steel 304	1,6	0/0.6 bar	RF63SiGly D802	85409802
63 mm	G $\frac{1}{4}$ B	Bottom	Stainless steel 304	1,6	0/1 bar	RF63SiGly D802	85410802
63 mm	G $\frac{1}{4}$ B	Bottom	Stainless steel 304	1,6	0/1.6 bar	RF63SiGly D802	85411802
63 mm	G $\frac{1}{4}$ B	Bottom	Stainless steel 304	1,6	0/2.5 bar	RF63SiGly D802	85412802
63 mm	G $\frac{1}{4}$ B	Bottom	Stainless steel 304	1,6	0/4 bar	RF63SiGly D802	85413802
63 mm	G $\frac{1}{4}$ B	Bottom	Stainless steel 304	1,6	0/6 bar	RF63SiGly D802	85414802
63 mm	G $\frac{1}{4}$ B	Bottom	Stainless steel 304	1,6	0/10 bar	RF63SiGly D802	85415802
63 mm	G $\frac{1}{4}$ B	Bottom	Stainless steel 304	1,6	0/16 bar	RF63SiGly D802	85416802
63 mm	G $\frac{1}{4}$ B	Bottom	Stainless steel 304	1,6	0/25 bar	RF63SiGly D802	85417802
63 mm	G $\frac{1}{4}$ B	Bottom	Stainless steel 304	1,6	0/40 bar	RF63SiGly D802	85418802
63 mm	G $\frac{1}{4}$ B	Bottom	Stainless steel 304	1,6	0/60 bar	RF63SiGly D802	85419802
63 mm	G $\frac{1}{4}$ B	Bottom	Stainless steel 304	1,6	0/100 bar	RF63SiGly D802	85420802
63 mm	G $\frac{1}{4}$ B	Bottom	Stainless steel 304	1,6	0/160 bar	RF63SiGly D802	85421802
63 mm	G $\frac{1}{4}$ B	Bottom	Stainless steel 304	1,6	0/250 bar	RF63SiGly D802	85422802
63 mm	G $\frac{1}{4}$ B	Bottom	Stainless steel 304	1,6	0/400 bar	RF63SiGly D802	85423802
63 mm	G $\frac{1}{4}$ B	Bottom	Stainless steel 304	2,5	0/600 bar	RF63SiGly D802	85424802
63 mm	G $\frac{1}{4}$ B	Bottom	Stainless steel 304	2,5	0/1,000 bar	RF63SiGly D802	85425802

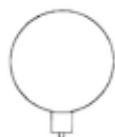


Blue part no. = in-stock items



RF100SiGly D802

Housing \varnothing	Connection	Alignment	Housing	Accuracy class	Range	Type	Part no.
100 mm	G½B	Bottom	Stainless steel 304	1,0	-1/0 bar	RF100SiGly D802	85451802
100 mm	G½B	Bottom	Stainless steel 304	1,0	-1/+0.6 bar	RF100SiGly D802	85452802
100 mm	G½B	Bottom	Stainless steel 304	1,0	-1/+1.5 bar	RF100SiGly D802	85453802
100 mm	G½B	Bottom	Stainless steel 304	1,0	-1/+3 bar	RF100SiGly D802	85454802
100 mm	G½B	Bottom	Stainless steel 304	1,0	-1/+5 bar	RF100SiGly D802	85455802
100 mm	G½B	Bottom	Stainless steel 304	1,0	-1/+9 bar	RF100SiGly D802	85456802
100 mm	G½B	Bottom	Stainless steel 304	1,0	-1/+15 bar	RF100SiGly D802	85457802
100 mm	G½B	Bottom	Stainless steel 304	1,0	0/0.6 bar	RF100SiGly D802	85459802
100 mm	G½B	Bottom	Stainless steel 304	1,0	0/1 bar	RF100SiGly D802	85460802
100 mm	G½B	Bottom	Stainless steel 304	1,0	0/1.6 bar	RF100SiGly D802	85461802
100 mm	G½B	Bottom	Stainless steel 304	1,0	0/2.5 bar	RF100SiGly D802	85462802
100 mm	G½B	Bottom	Stainless steel 304	1,0	0/4 bar	RF100SiGly D802	85463802
100 mm	G½B	Bottom	Stainless steel 304	1,0	0/6 bar	RF100SiGly D802	85464802
100 mm	G½B	Bottom	Stainless steel 304	1,0	0/10 bar	RF100SiGly D802	85465802
100 mm	G½B	Bottom	Stainless steel 304	1,0	0/16 bar	RF100SiGly D802	85466802
100 mm	G½B	Bottom	Stainless steel 304	1,0	0/25 bar	RF100SiGly D802	85467802
100 mm	G½B	Bottom	Stainless steel 304	1,0	0/40 bar	RF100SiGly D802	85468802
100 mm	G½B	Bottom	Stainless steel 304	1,0	0/60 bar	RF100SiGly D802	85469802
100 mm	G½B	Bottom	Stainless steel 304	1,0	0/100 bar	RF100SiGly D802	85470802
100 mm	G½B	Bottom	Stainless steel 304	1,0	0/160 bar	RF100SiGly D802	85471802
100 mm	G½B	Bottom	Stainless steel 304	1,0	0/250 bar	RF100SiGly D802	85472802
100 mm	G½B	Bottom	Stainless steel 304	1,0	0/400 bar	RF100SiGly D802	85473802
100 mm	G½B	Bottom	Stainless steel 304	1,0	0/600 bar	RF100SiGly D802	85474802
100 mm	G½B	Bottom	Stainless steel 304	1,0	0/1,000 bar	RF100SiGly D802	85475802

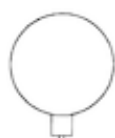


Blue part no. = in-stock items



RF160SiGly D802

Housing \varnothing	Connection	Alignment	Housing	Accuracy class	Range	Type	Part no.
160 mm	G½B	Bottom	Stainless steel 304	1,0	-1/0 bar	RF160SiGly D802	85501802
160 mm	G½B	Bottom	Stainless steel 304	1,0	-1/+0.6 bar	RF160SiGly D802	85502802
160 mm	G½B	Bottom	Stainless steel 304	1,0	-1/+1.5 bar	RF160SiGly D802	85503802
160 mm	G½B	Bottom	Stainless steel 304	1,0	-1/+3 bar	RF160SiGly D802	85504802
160 mm	G½B	Bottom	Stainless steel 304	1,0	-1/+5 bar	RF160SiGly D802	85505802
160 mm	G½B	Bottom	Stainless steel 304	1,0	-1/+9 bar	RF160SiGly D802	85506802
160 mm	G½B	Bottom	Stainless steel 304	1,0	-1/+15 bar	RF160SiGly D802	85507802
160 mm	G½B	Bottom	Stainless steel 304	1,0	0/0.6 bar	RF160SiGly D802	85509802
160 mm	G½B	Bottom	Stainless steel 304	1,0	0/1 bar	RF160SiGly D802	85510802
160 mm	G½B	Bottom	Stainless steel 304	1,0	0/1.6 bar	RF160SiGly D802	85511802
160 mm	G½B	Bottom	Stainless steel 304	1,0	0/2.5 bar	RF160SiGly D802	85512802
160 mm	G½B	Bottom	Stainless steel 304	1,0	0/4 bar	RF160SiGly D802	85513802
160 mm	G½B	Bottom	Stainless steel 304	1,0	0/6 bar	RF160SiGly D802	85514802
160 mm	G½B	Bottom	Stainless steel 304	1,0	0/10 bar	RF160SiGly D802	85515802
160 mm	G½B	Bottom	Stainless steel 304	1,0	0/16 bar	RF160SiGly D802	85516802
160 mm	G½B	Bottom	Stainless steel 304	1,0	0/25 bar	RF160SiGly D802	85517802
160 mm	G½B	Bottom	Stainless steel 304	1,0	0/40 bar	RF160SiGly D802	85518802
160 mm	G½B	Bottom	Stainless steel 304	1,0	0/60 bar	RF160SiGly D802	85519802
160 mm	G½B	Bottom	Stainless steel 304	1,0	0/100 bar	RF160SiGly D802	85520802
160 mm	G½B	Bottom	Stainless steel 304	1,0	0/160 bar	RF160SiGly D802	85521802
160 mm	G½B	Bottom	Stainless steel 304	1,0	0/250 bar	RF160SiGly D802	85522802
160 mm	G½B	Bottom	Stainless steel 304	1,0	0/400 bar	RF160SiGly D802	85523802
160 mm	G½B	Bottom	Stainless steel 304	1,0	0/600 bar	RF160SiGly D802	85524802
160 mm	G½B	Bottom	Stainless steel 304	1,0	0/1,000 bar	RF160SiGly D802	85525802



Blue part no. = in-stock items