



## Industrial thermometer VMTh



### Benefits

- Extremely robust due to full metal housing
- Vibration-resistant glass thermometer
- Stainless steel version possible
- Excellent readability due to blue thermometer filling

### Application

Heating, industry, mechanical engineering

### Technical specifications

#### Nominal size

110 x 30 – 150 x 36 – 200 x 36

#### Upper part

Aluminium, V-shaped, polished, anodised brass-coloured. Numbers of measuring range printed in black at the right part of the scale below the anodised layer. Adjustable by means of brass nut (spanner size SW 22) so that readings from any angle are possible.

#### Glass insert (capillary)

Prismatic capillary, completely made of glass,  $\varnothing$  6 mm. Graduation marks of the capillary burnt in, black, completely resistant. Main graduation marks corresponding to the numbers printed on the housing are especially bold and easy to read.

#### Thermometer filling

Standard version: Blue liquid indicating from -60 to +200 °C.

#### Stem

Brass,  $\varnothing$  10 mm, with fixed thread G $\frac{1}{2}$ B. Stainless steel version on request.

#### Accuracy

DIN 16195

#### Ranges °C

-30/+50, 0/60, 0/100, 0/120, 0/160

#### Mounting position

Straight  
Angled 90°

#### Immersion pipe length

40, 63, 100, 160 mm

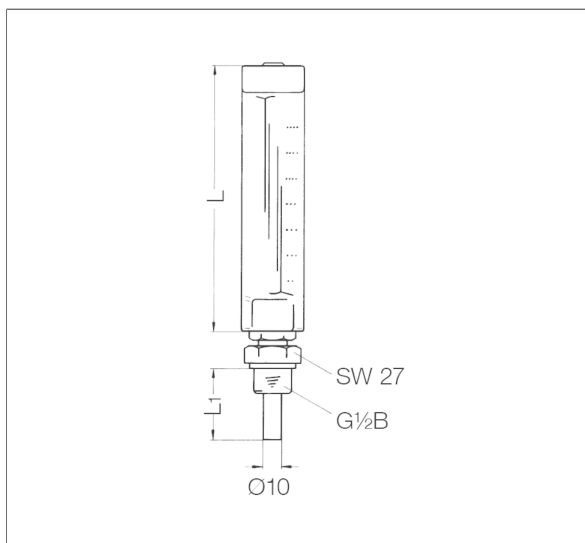
### Options

- Other ranges
- Other stem lengths
- Other stem materials
- Other connection threads
- Upper part anodised aluminium-coloured
- Upper part made of plastic
- Thermowells

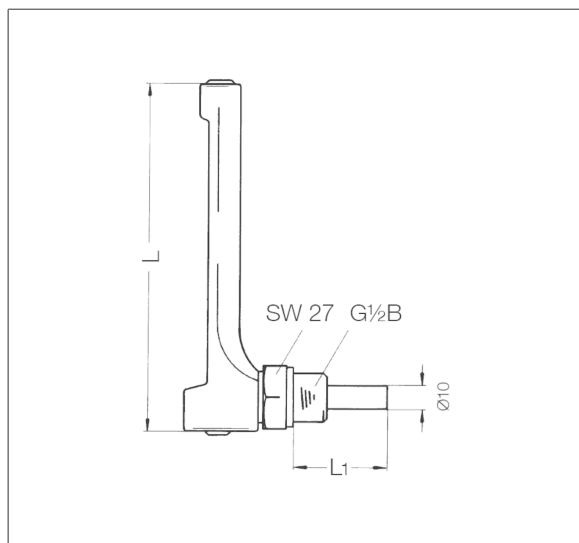


## Technical drawings

mounting position straight



mounting position angled 90°



### Dimensions (mm)

Typ	L	L <sub>1</sub>			
VMTh 110	110	40	63	100	160
VMTh 150	150	40	63	100	160
VMTh 200	200	40	63	100	160

## Versions

### VMTh 110

Nominal size	Version	Mounting position	Range	Stem length	Type	Part no.
110 x 30 mm	DIN 16181	Straight	-30/+50 °C	40 mm	VMTh 110	64101
110 x 30 mm	DIN 16181	Straight	-30/+50 °C	63 mm	VMTh 110	64102
110 x 30 mm	DIN 16181	Straight	-30/+50 °C	100 mm	VMTh 110	64103
110 x 30 mm	DIN 16181	Straight	-30/+50 °C	160 mm	VMTh 110	64104
110 x 30 mm	DIN 16181	Straight	0/60 °C	40 mm	VMTh 110	64106
110 x 30 mm	DIN 16181	Straight	0/60 °C	63 mm	VMTh 110	64107
110 x 30 mm	DIN 16181	Straight	0/60 °C	100 mm	VMTh 110	64108
110 x 30 mm	DIN 16181	Straight	0/60 °C	160 mm	VMTh 110	64109
110 x 30 mm	DIN 16181	Straight	0/120 °C	40 mm	VMTh 110	64111
110 x 30 mm	DIN 16181	Straight	0/120 °C	63 mm	VMTh 110	64112



Blue part no. = in-stock items



Nominal size	Version	Mounting position	Range	Stem length	Type	Part no.
110 x 30 mm	DIN 16181	Straight	0/120 °C	100 mm	VMTh 110	64113
110 x 30 mm	DIN 16181	Straight	0/120 °C	160 mm	VMTh 110	64114
110 x 30 mm	DIN 16181	Straight	0/160 °C	40 mm	VMTh 110	64116
110 x 30 mm	DIN 16181	Straight	0/160 °C	63 mm	VMTh 110	64117
110 x 30 mm	DIN 16181	Straight	0/160 °C	100 mm	VMTh 110	64118
110 x 30 mm	DIN 16181	Straight	0/160 °C	160 mm	VMTh 110	64119
110 x 30 mm	DIN 16182	Angled 90°	-30/+50 °C	40 mm	VMTh 110	64120
110 x 30 mm	DIN 16182	Angled 90°	-30/+50 °C	63 mm	VMTh 110	64121
110 x 30 mm	DIN 16182	Angled 90°	-30/+50 °C	100 mm	VMTh 110	64122
110 x 30 mm	DIN 16182	Angled 90°	-30/+50 °C	160 mm	VMTh 110	64123
110 x 30 mm	DIN 16182	Angled 90°	0/60 °C	40 mm	VMTh 110	64124
110 x 30 mm	DIN 16182	Angled 90°	0/60 °C	63 mm	VMTh 110	64125
110 x 30 mm	DIN 16182	Angled 90°	0/60 °C	100 mm	VMTh 110	64126
110 x 30 mm	DIN 16182	Angled 90°	0/60 °C	160 mm	VMTh 110	64127
110 x 30 mm	DIN 16182	Angled 90°	0/120 °C	40 mm	VMTh 110	64128
110 x 30 mm	DIN 16182	Angled 90°	0/120 °C	63 mm	VMTh 110	64129
110 x 30 mm	DIN 16182	Angled 90°	0/120 °C	100 mm	VMTh 110	64130
110 x 30 mm	DIN 16182	Angled 90°	0/120 °C	160 mm	VMTh 110	64131
110 x 30 mm	DIN 16182	Angled 90°	0/160 °C	40 mm	VMTh 110	64132
110 x 30 mm	DIN 16182	Angled 90°	0/160 °C	63 mm	VMTh 110	64133
110 x 30 mm	DIN 16182	Angled 90°	0/160 °C	100 mm	VMTh 110	64134
110 x 30 mm	DIN 16182	Angled 90°	0/160 °C	160 mm	VMTh 110	64135



Blue part no. = in-stock items

**VMTh 150**

Nominal size	Version	Mounting position	Range	Stem length	Type	Part no.
150 x 36 mm	DIN 16185	Straight	-30/+50 °C	40 mm	VMTh 150	64136
150 x 36 mm	DIN 16185	Straight	-30/+50 °C	63 mm	VMTh 150	64137
150 x 36 mm	DIN 16185	Straight	-30/+50 °C	100 mm	VMTh 150	64138
150 x 36 mm	DIN 16185	Straight	-30/+50 °C	160 mm	VMTh 150	64139



Blue part no. = in-stock items



Nominal size	Version	Mounting position	Range	Stem length	Type	Part no.
150 x 36 mm	DIN 16185	Straight	0/60 °C	40 mm	VMTh 150	64140
150 x 36 mm	DIN 16185	Straight	0/60 °C	63 mm	VMTh 150	64141
150 x 36 mm	DIN 16185	Straight	0/60 °C	100 mm	VMTh 150	64142
150 x 36 mm	DIN 16185	Straight	0/60 °C	160 mm	VMTh 150	64143
150 x 36 mm	DIN 16185	Straight	0/100 °C	40 mm	VMTh 150	64330
150 x 36 mm	DIN 16185	Straight	0/100 °C	63 mm	VMTh 150	64331
150 x 36 mm	DIN 16185	Straight	0/100 °C	100 mm	VMTh 150	64332
150 x 36 mm	DIN 16185	Straight	0/100 °C	160 mm	VMTh 150	64333
150 x 36 mm	DIN 16185	Straight	0/120 °C	40 mm	VMTh 150	<a href="#">64100</a>
150 x 36 mm	DIN 16185	Straight	0/120 °C	63 mm	VMTh 150	<a href="#">64105</a>
150 x 36 mm	DIN 16185	Straight	0/120 °C	100 mm	VMTh 150	<a href="#">64144</a>
150 x 36 mm	DIN 16185	Straight	0/120 °C	160 mm	VMTh 150	64145
150 x 36 mm	DIN 16185	Straight	0/160 °C	40 mm	VMTh 150	64146
150 x 36 mm	DIN 16185	Straight	0/160 °C	63 mm	VMTh 150	64147
150 x 36 mm	DIN 16185	Straight	0/160 °C	100 mm	VMTh 150	64148
150 x 36 mm	DIN 16185	Straight	0/160 °C	160 mm	VMTh 150	64149
150 x 36 mm	DIN 16186	Angled 90°	-30/+50 °C	40 mm	VMTh 150	64150
150 x 36 mm	DIN 16186	Angled 90°	-30/+50 °C	63 mm	VMTh 150	64151
150 x 36 mm	DIN 16186	Angled 90°	-30/+50 °C	100 mm	VMTh 150	64152
150 x 36 mm	DIN 16186	Angled 90°	-30/+50 °C	160 mm	VMTh 150	64153
150 x 36 mm	DIN 16186	Angled 90°	0/60 °C	40 mm	VMTh 150	64154
150 x 36 mm	DIN 16186	Angled 90°	0/60 °C	63 mm	VMTh 150	64155
150 x 36 mm	DIN 16186	Angled 90°	0/60 °C	100 mm	VMTh 150	64156
150 x 36 mm	DIN 16186	Angled 90°	0/60 °C	160 mm	VMTh 150	64157
150 x 36 mm	DIN 16186	Angled 90°	0/100 °C	40 mm	VMTh 150	64335
150 x 36 mm	DIN 16186	Angled 90°	0/100 °C	63 mm	VMTh 150	64336
150 x 36 mm	DIN 16186	Angled 90°	0/100 °C	100 mm	VMTh 150	64337
150 x 36 mm	DIN 16186	Angled 90°	0/100 °C	160 mm	VMTh 150	64338



Blue part no. = in-stock items



Nominal size	Version	Mounting position	Range	Stem length	Type	Part no.
150 x 36 mm	DIN 16186	Angled 90°	0/120 °C	40 mm	VMTh 150	<a href="#">64110</a>
150 x 36 mm	DIN 16186	Angled 90°	0/120 °C	63 mm	VMTh 150	<a href="#">64115</a>
150 x 36 mm	DIN 16186	Angled 90°	0/120 °C	100 mm	VMTh 150	<a href="#">64158</a>
150 x 36 mm	DIN 16186	Angled 90°	0/120 °C	160 mm	VMTh 150	64159
150 x 36 mm	DIN 16186	Angled 90°	0/160 °C	40 mm	VMTh 150	<a href="#">64160</a>
150 x 36 mm	DIN 16186	Angled 90°	0/160 °C	63 mm	VMTh 150	<a href="#">64161</a>
150 x 36 mm	DIN 16186	Angled 90°	0/160 °C	100 mm	VMTh 150	<a href="#">64162</a>
150 x 36 mm	DIN 16186	Angled 90°	0/160 °C	160 mm	VMTh 150	64163

Blue part no. = in-stock items

### VMTh 200

Nominal size	Version	Mounting position	Range	Stem length	Type	Part no.
200 x 36 mm	DIN 16189	Straight	-30/+50 °C	63 mm	VMTh 200	64165
200 x 36 mm	DIN 16189	Straight	-30/+50 °C	100 mm	VMTh 200	64166
200 x 36 mm	DIN 16189	Straight	-30/+50 °C	160 mm	VMTh 200	64167
200 x 36 mm	DIN 16189	Straight	0/60 °C	63 mm	VMTh 200	64169
200 x 36 mm	DIN 16189	Straight	0/60 °C	100 mm	VMTh 200	64170
200 x 36 mm	DIN 16189	Straight	0/60 °C	160 mm	VMTh 200	64171
200 x 36 mm	DIN 16189	Straight	0/120 °C	63 mm	VMTh 200	64173
200 x 36 mm	DIN 16189	Straight	0/120 °C	100 mm	VMTh 200	64174
200 x 36 mm	DIN 16189	Straight	0/120 °C	160 mm	VMTh 200	64175
200 x 36 mm	DIN 16189	Straight	0/160 °C	63 mm	VMTh 200	64177
200 x 36 mm	DIN 16189	Straight	0/160 °C	100 mm	VMTh 200	64178
200 x 36 mm	DIN 16189	Straight	0/160 °C	160 mm	VMTh 200	64179
200 x 36 mm	DIN 16190	Angled 90°	-30/+50 °C	63 mm	VMTh 200	64181
200 x 36 mm	DIN 16190	Angled 90°	-30/+50 °C	100 mm	VMTh 200	64182
200 x 36 mm	DIN 16190	Angled 90°	-30/+50 °C	160 mm	VMTh 200	64183
200 x 36 mm	DIN 16190	Angled 90°	0/60 °C	63 mm	VMTh 200	64185
200 x 36 mm	DIN 16190	Angled 90°	0/60 °C	100 mm	VMTh 200	64186
200 x 36 mm	DIN 16190	Angled 90°	0/60 °C	160 mm	VMTh 200	64187

Blue part no. = in-stock items





Nominal size	Version	Mounting position	Range	Stem length	Type	Part no.
200 x 36 mm	DIN 16190	Angled 90°	0/120 °C	63 mm	VMTh 200	64189
200 x 36 mm	DIN 16190	Angled 90°	0/120 °C	100 mm	VMTh 200	64190
200 x 36 mm	DIN 16190	Angled 90°	0/120 °C	160 mm	VMTh 200	64191
200 x 36 mm	DIN 16190	Angled 90°	0/160 °C	63 mm	VMTh 200	64193
200 x 36 mm	DIN 16190	Angled 90°	0/160 °C	100 mm	VMTh 200	64194
200 x 36 mm	DIN 16190	Angled 90°	0/160 °C	160 mm	VMTh 200	64195

Blue part no. = in-stock items