



Pressure transducers DMU 13 with local display



Benefits

- Robust stainless steel housing (safety housing)
- High-precision measurements with integrated transducer
- Mechanical, power-independent local display

Application

For pressure measurements with a power-independent local display in combination with an electrical output signal.

Description

The DMU 13 pressure transducers consist of a mechanical Bourdon tube measuring element and a piezo-resistive stainless steel measuring cell. The Bourdon tube measuring element is used to provide an easy-to-read analogue local display. The display is power-independent. Due to the integrated pressure transducer, high-precision measurement in parallel is possible. A standardised current output is available for signal transmission and recording of measured data. The robust stainless steel housing has a solid baffle wall and blow out (safety housing).



Technical specifications

Nominal size

100

Accuracy class (EN 837-1/6)

1,0

Measuring accuracy

Deviation from the characteristic curve according to IEC 60770 – limit point calibration (non-linearity, hysteresis, repeatability)

< ± 0.5 % FSO

Long-term stability

≤ ± 0.2 % FSO/Jahr

Measuring range

See ordering table

Application area

Static load: Full scale value

Dynamic load: 0.9 x full scale value

Short-term load: 1.3 x full scale value

Operating temperature range

Medium: -20/+100 °C

Ambient: -20/+60 °C

Storage: -40/+70 °C

Temperature error band

≤ 1 % FSO/10 K In compensated range 0/70 °C

Housing

With solid baffle wall and blow-out (S3)

Window

Laminated safety glass

Options

- Housing filling (paraffin oil)
- Electrical contacts
- Other connectors
- Other process connections
- Fitting of chemical seal

Process connection

G½B EN 837-1/7.3, bottom

Material

Housing: Stainless steel 304

Pressure connection: Stainless steel 316 L

Diaphragm: Stainless steel 316 L

Seal: FKM (Viton)

Wetted parts

Stainless steel 316 Ti/316 L

Pressure transmission liquid

Silicone oil

Supply voltage

DC 12 – 36 V

Output signal

2-wire, 4–20 mA

Load

$R_{Max} = [(UB - UB_{Min})/0.02 A] \Omega$

Current input

< 25 mA

Electrical connection

Junction box

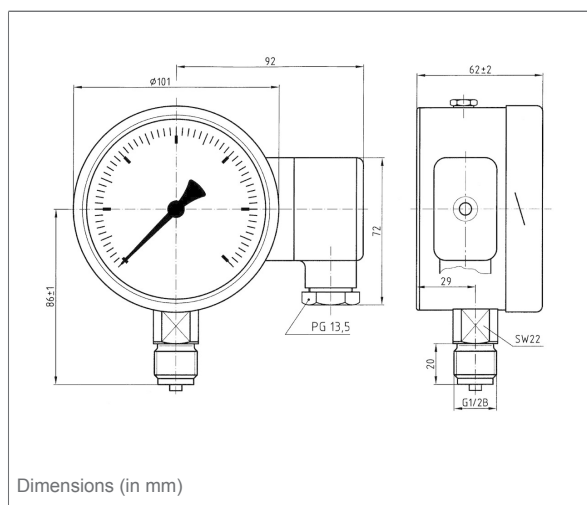
Degree of protection

IP 54 (EN 60529)



Technical drawings

DMU 13 - bottom connection



Versions

Type	Connection	Measuring range	Part no.
DMU 13	G½B EN 837-1/7.3	0/1 bar	31077
DMU 13	G½B EN 837-1/7.3	0/1.6 bar	31078
DMU 13	G½B EN 837-1/7.3	0/2.5 bar	31079
DMU 13	G½B EN 837-1/7.3	0/4 bar	31080
DMU 13	G½B EN 837-1/7.3	0/6 bar	31081
DMU 13	G½B EN 837-1/7.3	0/10 bar	31082
DMU 13	G½B EN 837-1/7.3	0/16 bar	31083
DMU 13	G½B EN 837-1/7.3	0/25 bar	31084
DMU 13	G½B EN 837-1/7.3	0/40 bar	31085



Blue part no. = in-stock items