

## Room thermostats RT 01 for controller terminal bar WB 01/WB 10 D



### Benefits

- Compact, modern design
- Easy surface mounting or mounting to standard in-wall switch boxes
- Either as 230 V or as battery version
- Suitable: for heating and cooling

### Application

Determination of the actual ambient temperature and adjustment of the reference value for the room temperature. Can also be used for cooling (manual switching).

### Versions

	Part no.
Room thermostat RT 01 D-BAT (battery)	86017
Room thermostat RT 01 D-230 (230 V)	86018

Blue part no. = in-stock items

### Description

The room thermostat RT 01 is a part of the complete system FloorControl for single-room temperature control. Each room thermostat measures the actual ambient temperature and switches the output to obtain the required reference temperature. The reference value for the room temperature is adjusted by means of the keys. The integrated display shows the values. The actual temperature in rooms with an underfloor heating system is compared to the reference temperature on an ongoing basis.

#### Versions:

RT 01 D-BAT: Version with battery, suitable for wall mounting

RT 01 D-230: 230 V version, suitable for mounting to standard junction boxes/in-wall switch boxes



## Technical specifications

### Operating temperature range

Ambient: 5/50 °C  
Storage: 5/50 °C

### Temperature adjustment range

5/35 °C

Accuracy:  $\pm 0.5$  K

### Supply voltage

RT 01 D-230: AC 230 V  
RT 01 D-BAT: 2 x 1.5 V AAA batteries

### Nominal power

RT 01 D-230: 5.396 VA

### Contact rating

NC: Max. AC 250 V, 1 A  
NO: Max. AC 250 V, 1 A

### Housing

Plastic (PC/ABS)  
Colour: White (RAL 9003)  
Degree of protection: IP 20 (EN 60529)

### Weight

RT 01 D-BAT: 84 g  
RT 01 D-230: 105 g

### Compatibility

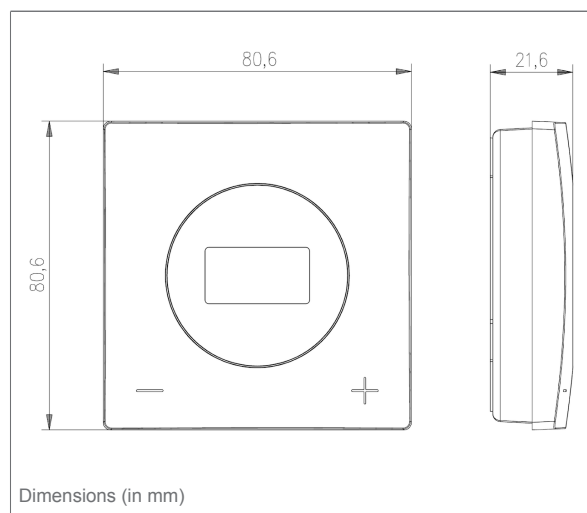
RT 01 D-BAT: WB 01 D-8-230, WB 01 D-8-24  
RT 01 D-230: WB 01 D-8-230

### Scope of delivery

- RT 01 D-BAT with battery

## Technical drawings

Room thermostat RT 01 D-BAT



Room thermostat RT 01 D-230

