

## Bourdon tube pressure gauge RF for heating/plumbing



### Benefits

- With self-sealing connection thread (NG 50 and 63) for fast mounting
- Corrosion-resistant housing

### Application

For gaseous and liquid media which are not highly viscous, do not crystallise and do not attack copper alloys and EPDM.  
! For measuring gas or vapour, observe the table "Selection Criteria as per EN 837-2" (see appendix)!

### Technical specifications

**Nominal size**  
50 – 63 – 80 – 100

**Accuracy class (EN 837-1/6)**  
2,5

**Ranges**  
-1/0 bar  
0/1 bar  
0/1.6 bar  
0/2.5 bar  
0/4 bar  
0/6 bar  
0/10 bar  
0/16 bar  
0/25 bar

**Application area**  
Static load:  $\frac{3}{4}$  x full scale value  
Dynamic load:  $\frac{3}{4}$  x full scale value  
Short-term: Full scale value

**Operating temperature range**  
Medium: Max. 60 °C  
Ambient: -20/+60 °C

**Temperature performance**  
Indication error when the temperature of the measuring system deviates from the normal temperature of 20 °C:  
at rising temperature approx.  $\pm 0.4 \%$ /10 K  
falling temperature approx.  $\pm 0.4 \%$ /10 K  
of full scale value

**Degree of protection**  
IP 32 (EN 60529)

## Standard version

### Connection

Brass, centre back or bottom

NG 50: G $\frac{1}{4}$ B, Self-sealing with PTFE sealing ring

NG 63: G $\frac{1}{4}$ B, Self-sealing with PTFE sealing ring

NG 80: G $\frac{1}{2}$ B

NG 100: G $\frac{1}{2}$ B

### Measuring element

Bourdon tube, "C" type tube

Copper alloy

### Movement

Brass

### Dial

Plastic, white

Scaling black

### Pointer

Plastic, black

### Housing

Plastic (ABS), black, highly impact-resistant and corrosion-resistant

### Window

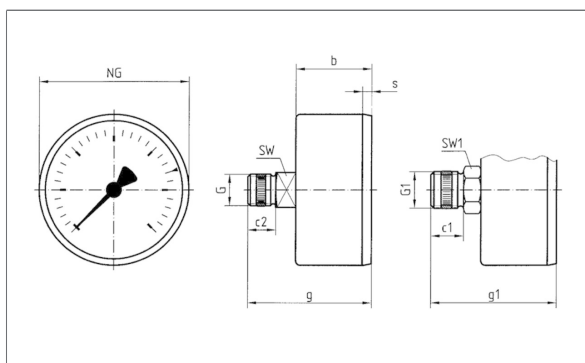
Plastic, clipped in

NG 80: With adjustable red reference pointer

NG 100: With adjustable red reference pointer

## Technical drawings

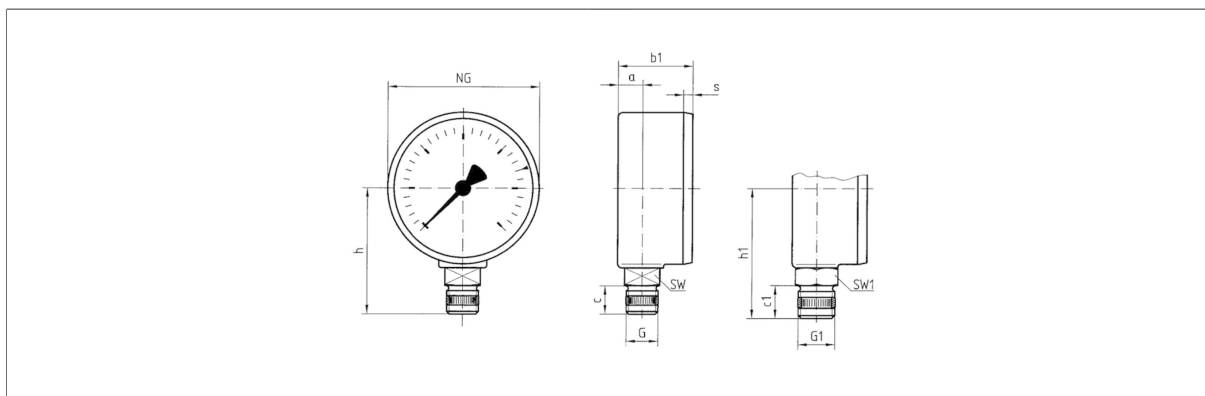
### RF/HZ 63 – centre back connection



### Dimensions (mm)

NG	b	c1	c2	g1	g2	G	G1	s	SW	SW1
63	30,4	13	11,5	49,9	50,4	G $\frac{1}{4}$ B	G $\frac{1}{4}$ B	3,7	14	17

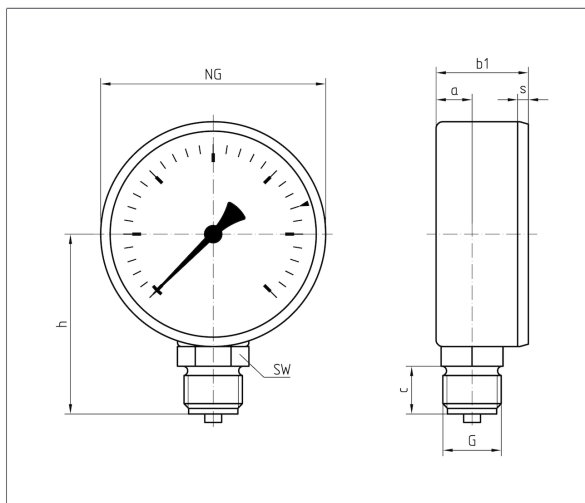
### RF/HZ 63 – bottom connection



#### Dimensions (mm)

NG	a	b1	c	c1	G	G1	h	h1	s	SW	SW1
63	9,8	29,7	11,2	13	G½B	G¾B	49,5	51,5	3,7	14	17

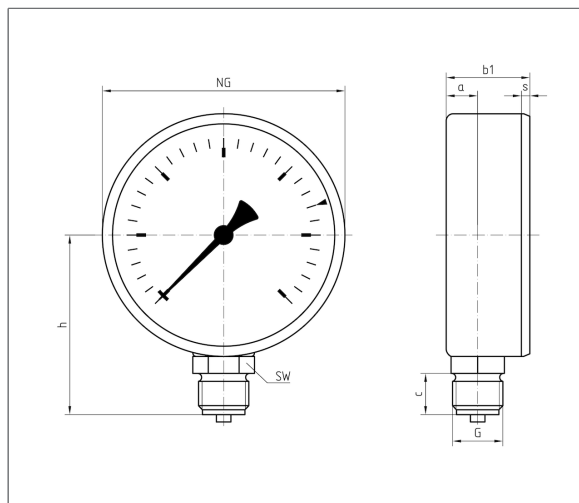
### RF 80/HY 80/HZ 80 – bottom connection



#### Dimensions (mm)

NG	a	b1	c	G	h	s	SW
80	12,8	32,8	17	G½B	64	2,8	14

### RF 100/HY 100 – bottom connection



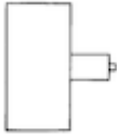
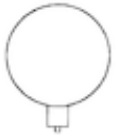
#### Dimensions (mm)

NG	a	b1	c	G	h	s	SW
100	15,5	34,5	17	G½B	74	3,5	22



## Versions

### RF50

	Housing $\varnothing$	Connection	Thread	Alignment	Range	Type	Part no.
	50 mm	G $\frac{1}{4}$ B	Self-sealing with PTFE sealing ring	Centre back	0/6 bar	RF50 ax	63127
	50 mm	G $\frac{1}{4}$ B	Self-sealing with PTFE sealing ring	Centre back	0/10 bar	RF50 ax	63128
	50 mm	G $\frac{1}{4}$ B	Self-sealing with PTFE sealing ring	Centre back	0/16 bar	RF50 ax	63129
	50 mm	G $\frac{1}{4}$ B	Self-sealing with PTFE sealing ring	Bottom	0/6 bar	RF50 rad	63122
	50 mm	G $\frac{1}{4}$ B	Self-sealing with PTFE sealing ring	Bottom	0/10 bar	RF50 rad	63123
	50 mm	G $\frac{1}{4}$ B	Self-sealing with PTFE sealing ring	Bottom	0/16 bar	RF50 rad	63124

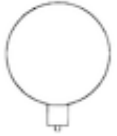
Blue part no. = in-stock items

### RF63

	Housing $\varnothing$	Connection	Thread	Alignment	Range	Type	Part no.
	63 mm	G $\frac{1}{4}$ B	Self-sealing with PTFE sealing ring	Centre back	0/2.5 bar	RF63 ax	63536
	63 mm	G $\frac{1}{4}$ B	Self-sealing with PTFE sealing ring	Centre back	0/4 bar	RF63 ax	63537
	63 mm	G $\frac{1}{4}$ B	Self-sealing with PTFE sealing ring	Centre back	0/6 bar	RF63 ax	63538
	63 mm	G $\frac{1}{4}$ B	Self-sealing with PTFE sealing ring	Centre back	0/10 bar	RF63 ax	63539
	63 mm	G $\frac{1}{4}$ B	Self-sealing with PTFE sealing ring	Centre back	0/16 bar	RF63 ax	63540
	63 mm	G $\frac{1}{4}$ B	Self-sealing with PTFE sealing ring	Bottom	-1/0 bar	RF63 rad	63501
	63 mm	G $\frac{1}{4}$ B	Self-sealing with PTFE sealing ring	Bottom	0/2.5 bar	RF63 rad	63511
	63 mm	G $\frac{1}{4}$ B	Self-sealing with PTFE sealing ring	Bottom	0/4 bar	RF63 rad	63512
	63 mm	G $\frac{1}{4}$ B	Self-sealing with PTFE sealing ring	Bottom	0/6 bar	RF63 rad	63513
	63 mm	G $\frac{1}{4}$ B	Self-sealing with PTFE sealing ring	Bottom	0/10 bar	RF63 rad	63514
	63 mm	G $\frac{1}{4}$ B	Self-sealing with PTFE sealing ring	Bottom	0/16 bar	RF63 rad	63515

Blue part no. = in-stock items

### RF80

	Housing $\varnothing$	Connection	Alignment	Range	Type	Part no.
	80 mm	G $\frac{1}{2}$ B	Bottom	-1/0 bar	RF80 rad	63551
	80 mm	G $\frac{1}{2}$ B	Bottom	0/1 bar	RF80 rad	63559
	80 mm	G $\frac{1}{2}$ B	Bottom	0/1.6 bar	RF80 rad	63560
	80 mm	G $\frac{1}{2}$ B	Bottom	0/2.5 bar	RF80 rad	63561

Blue part no. = in-stock items



Housing $\varnothing$	Connection	Alignment	Range	Type	Part no.
80 mm	G $\frac{1}{2}$ B	Bottom	0/4 bar	RF80 rad	<a href="#">63562</a>
80 mm	G $\frac{1}{2}$ B	Bottom	0/6 bar	RF80 rad	<a href="#">63563</a>
80 mm	G $\frac{1}{2}$ B	Bottom	0/10 bar	RF80 rad	<a href="#">63564</a>
80 mm	G $\frac{1}{2}$ B	Bottom	0/16 bar	RF80 rad	<a href="#">63565</a>
80 mm	G $\frac{1}{2}$ B	Bottom	0/25 bar	RF80 rad	<a href="#">63566</a>

Blue part no. = in-stock items

#### RF100

Housing $\varnothing$	Connection	Alignment	Range	Type	Part no.
100 mm	G $\frac{1}{2}$ B	Bottom	-1/0 bar	RF100 rad	<a href="#">63601</a>
100 mm	G $\frac{1}{2}$ B	Bottom	0/1 bar	RF100 rad	<a href="#">63609</a>
100 mm	G $\frac{1}{2}$ B	Bottom	0/1.6 bar	RF100 rad	<a href="#">63610</a>
100 mm	G $\frac{1}{2}$ B	Bottom	0/2.5 bar	RF100 rad	<a href="#">63611</a>
100 mm	G $\frac{1}{2}$ B	Bottom	0/4 bar	RF100 rad	<a href="#">63612</a>
100 mm	G $\frac{1}{2}$ B	Bottom	0/6 bar	RF100 rad	<a href="#">63613</a>
100 mm	G $\frac{1}{2}$ B	Bottom	0/10 bar	RF100 rad	<a href="#">63614</a>
100 mm	G $\frac{1}{2}$ B	Bottom	0/16 bar	RF100 rad	<a href="#">63615</a>
100 mm	G $\frac{1}{2}$ B	Bottom	0/25 bar	RF100 rad	<a href="#">63616</a>

Blue part no. = in-stock items

