



Standard diaphragm pressure gauges Type D4



Benefits

- For low pressure ranges
- High overpressure safety
- Robust design
- Optional flange connections

Application

For non-corrosive gaseous and liquid media. With open connection flange also suitable for viscous and polluted media. For measuring gas or vapour, observe the table "Selection Criteria as per EN 837-2" (see appendix)!

Technical specifications

Type

D4

Nominal size

100 – 160

Accuracy class (EN 837-3/6)

1,6

Ranges (EN 837-3/5)

See ordering table

Application area

Static load: Full scale value

Dynamic load: 0.9 x full scale value

Overpressure safety

≤ 0.4 bar: At least 1.3 x FS

≥ 0.6 bar: At least 5 x FS

≥ 10 bar: Max. 40 bar

Operating temperature range

Medium: Max. 100 °C

Ambient: -20/+60 °C

Temperature performance

Indication error when the temperature of the measuring system deviates from the normal temperature of 20 °C:

at rising temperature approx. ± 0.8 %/10 K

falling temperature approx. ± 0.8 %/10 K

of full scale value

Degree of protection

IP 54 (EN 60529)



Standard version

Connection

Steel, bottom
G $\frac{1}{2}$ B, SW22 (EN 837-3/7.3)

Lower measuring flange

Steel, galvanised

Upper measuring flange

Stainless steel 304

Measuring element

Diaphragm
Measuring flange: Stainless steel 316 L

Seal

NBR (Perbunan)

Movement

Brass

Dial

Aluminium, white
Scaling black

Pointer

Aluminium, black

Housing

Stainless steel 304, with blow-out

Bayonet type bezel

Stainless steel 304

Window

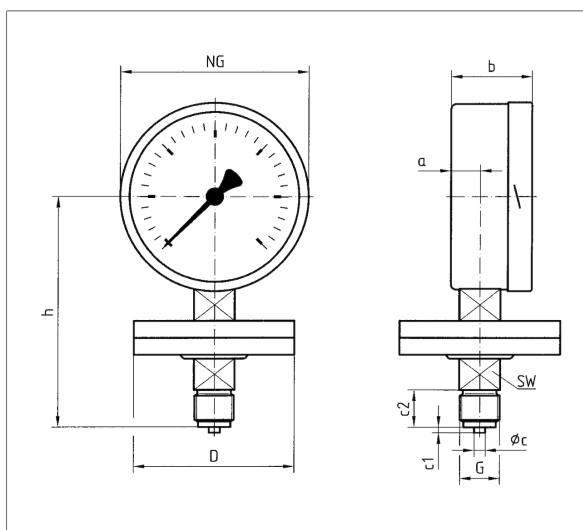
Instrument glass

Options

- Safety housing
- Overpressure safety 10 x FSD (measuring flange \varnothing 100 to max. 40 bar, measuring flange \varnothing 160 to max. 2.5 bar)
- Glycerine filling (\geq 40 mbar, \leq 250 mbar accuracy class 2.5)
- Electrical contacts
- Wetted parts with special coating
- Open connection flanges as per EN/ASME

Technical drawings

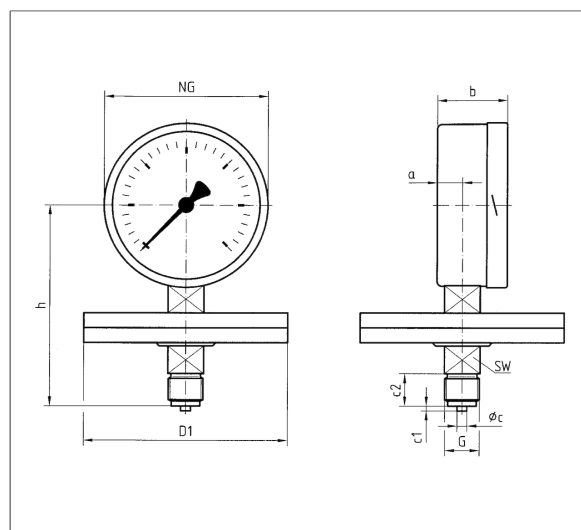
bottom connection, measuring flange \varnothing 100



Dimensions (mm)

NG	a	b	\varnothing c	c1	c2	D	G	h	SW
100	20	55	6	3	20	100	G $\frac{1}{2}$ B	127	22

bottom connection, measuring flange \varnothing 160



Dimensions (mm)

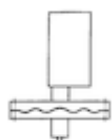
NG	a	b	\varnothing c	c1	c2	D1	G	h	SW
160	20	55	6	3	20	160	G $\frac{1}{2}$ B	156	22



Versions

PF100 D401

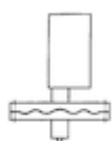
Housing \varnothing	Housing	Accuracy class	Range	Type	Part no.
100 mm	Stainless steel 304	1,6	0/0.4 bar	PF100 D401	85909401
100 mm	Stainless steel 304	1,6	0/0.6 bar	PF100 D401	85910401
100 mm	Stainless steel 304	1,6	0/1 bar	PF100 D401	85911401
100 mm	Stainless steel 304	1,6	0/1.6 bar	PF100 D401	85912401
100 mm	Stainless steel 304	1,6	0/2.5 bar	PF100 D401	85913401
100 mm	Stainless steel 304	1,6	0/4 bar	PF100 D401	85914401
100 mm	Stainless steel 304	1,6	0/6 bar	PF100 D401	85915401
100 mm	Stainless steel 304	1,6	0/10 bar	PF100 D401	85916401
100 mm	Stainless steel 304	1,6	0/16 bar	PF100 D401	85917401
100 mm	Stainless steel 304	1,6	0/25 bar	PF100 D401	85918401
100 mm	Stainless steel 304	1,6	0/10 mbar	PF100 D401	85901401
100 mm	Stainless steel 304	1,6	0/16 mbar	PF100 D401	85902401
100 mm	Stainless steel 304	1,6	0/25 mbar	PF100 D401	85903401
100 mm	Stainless steel 304	1,6	0/40 mbar	PF100 D401	85904401
100 mm	Stainless steel 304	1,6	0/60 mbar	PF100 D401	85905401
100 mm	Stainless steel 304	1,6	0/100 mbar	PF100 D401	85906401
100 mm	Stainless steel 304	1,6	0/160 mbar	PF100 D401	85907401
100 mm	Stainless steel 304	1,6	0/250 mbar	PF100 D401	85908401



Blue part no. = in-stock items

PF160 D401

Housing \varnothing	Housing	Accuracy class	Range	Type	Part no.
160 mm	Stainless steel 304	1,6	0/0.4 bar	PF160 D401	85959401
160 mm	Stainless steel 304	1,6	0/0.6 bar	PF160 D401	85960401
160 mm	Stainless steel 304	1,6	0/1 bar	PF160 D401	85961401
160 mm	Stainless steel 304	1,6	0/1.6 bar	PF160 D401	85962401
160 mm	Stainless steel 304	1,6	0/2.5 bar	PF160 D401	85963401



Blue part no. = in-stock items



Housing [®]	Housing	Accuracy class	Range	Type	Part no.
160 mm	Stainless steel 304	1,6	0/4 bar	PF160 D401	85964401
160 mm	Stainless steel 304	1,6	0/6 bar	PF160 D401	85965401
160 mm	Stainless steel 304	1,6	0/10 bar	PF160 D401	85966401
160 mm	Stainless steel 304	1,6	0/16 bar	PF160 D401	85967401
160 mm	Stainless steel 304	1,6	0/25 bar	PF160 D401	85968401
160 mm	Stainless steel 304	1,6	0/10 mbar	PF160 D401	85951401
160 mm	Stainless steel 304	1,6	0/16 mbar	PF160 D401	85952401
160 mm	Stainless steel 304	1,6	0/25 mbar	PF160 D401	85953401
160 mm	Stainless steel 304	1,6	0/40 mbar	PF160 D401	85954401
160 mm	Stainless steel 304	1,6	0/60 mbar	PF160 D401	85955401
160 mm	Stainless steel 304	1,6	0/100 mbar	PF160 D401	85956401
160 mm	Stainless steel 304	1,6	0/160 mbar	PF160 D401	85957401
160 mm	Stainless steel 304	1,6	0/250 mbar	PF160 D401	85958401

Blue part no. = in-stock items