



Bourdon tube pressure gauges for chemical applications Type D7 with glycerine filling



Benefits

- For chemical and process engineering applications
- Measuring system fully welded to housing
- Extremely robust design
- Can be used in case of heavy vibrations and high, dynamic pressure loads
- Tightness-tested with helium
- DNV- and GOSSTANDART-certified
- Ex version (optional)



Application

For corrosive gaseous and liquid media which are not highly viscous and do not crystallise; suitable for corrosive environments. For measurements in areas with high vibration levels and high, dynamic pressure loads.

! For measuring gas or vapour, observe the table "Selection Criteria as per EN 837-2" (see appendix)!

Technical specifications

Type

D7

Nominal size

40 – 50 – 63

Accuracy class (EN 837-1/6)

1,6

2,5

Ranges (EN 837-1/5)

See ordering table

Application area

Static load: $\frac{1}{4}$ x full scale value

Dynamic load: $\frac{2}{3}$ x full scale value

Short-term: Full scale value

Operating temperature range

Medium: Max. 100 °C

Ambient: -20/+60 °C

Temperature performance

Indication error when the temperature of the measuring system deviates from the normal temperature of 20 °C:
at rising temperature approx. ± 0.4 %/10 K
falling temperature approx. ± 0.4 %/10 K
of full scale value

Degree of protection

IP 54 (EN 60529) with housing vent (< 25 bar)

IP 65 (EN 60529)



Standard version

Connection

Stainless steel 316 L, bottom, centre back or bottom back

Measuring element

Bourdon tube, stainless steel 316 Ti/316

L

≤ 60 bar: "C" type tube

> 60 bar: Helical tube

Tightness-tested with helium

Movement

Stainless steel

Dial

Aluminium, white

Scaling black

Pointer

Aluminium, black

Housing

Stainless steel 304, with blow-out

Crimped bezel

Stainless steel 304

Window

NG 40: Plastic (PMMA)

NG 50: Plastic

NG 63: Laminated safety glass

Filling liquid

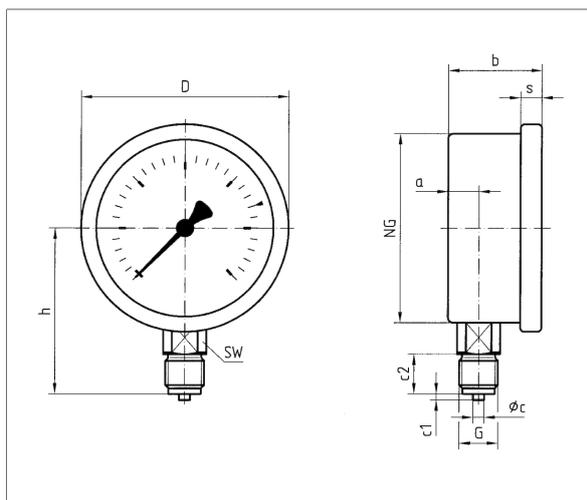
Glycerine (99.5 %)

Options

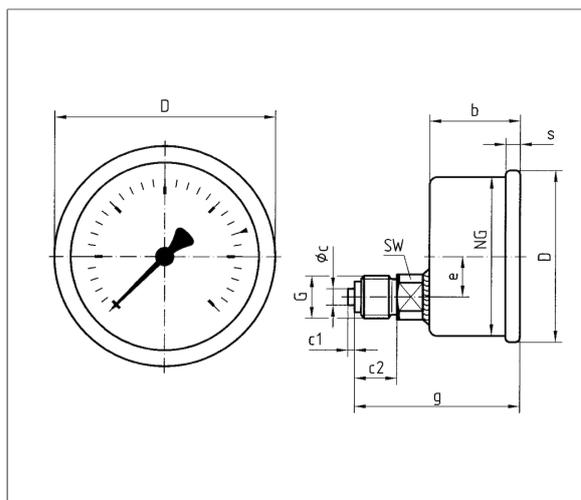
- Filling liquid silicone oil
- Plastic window (NG 63)
- Back flange (NG 63)
- Clamp fixing
- Ex version
- Crimped bezel, polished
- Special scales
- Other process connections

Technical drawings

NG 50/63 – bottom connection

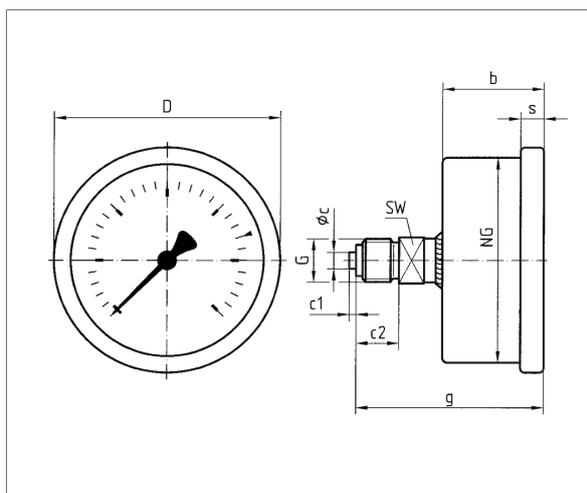


NG 50 – bottom back connection

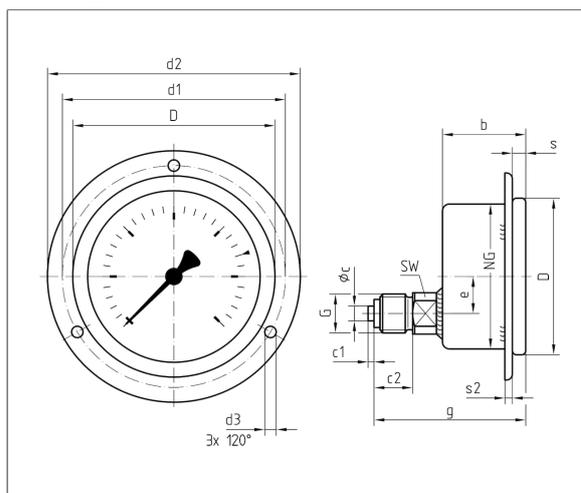




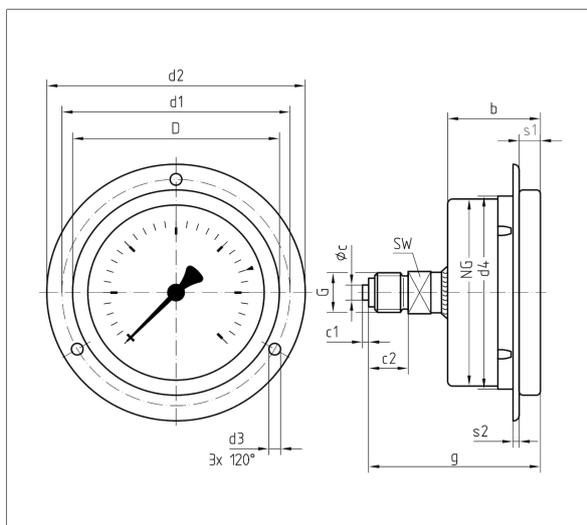
NG 63 – centre back connection



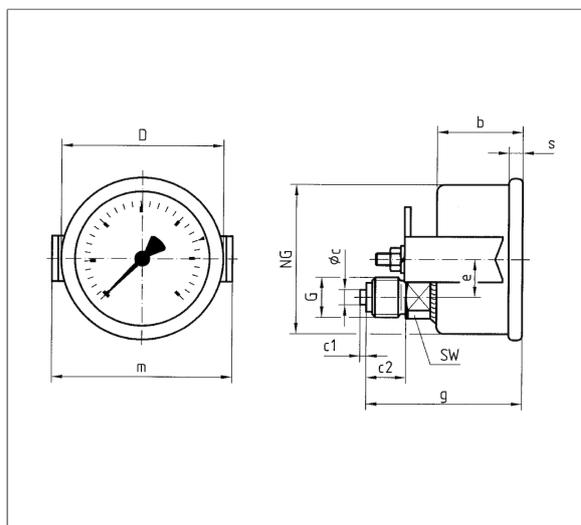
NG 50 – bottom back connection, 3-hole fixing, panel mounting bezel



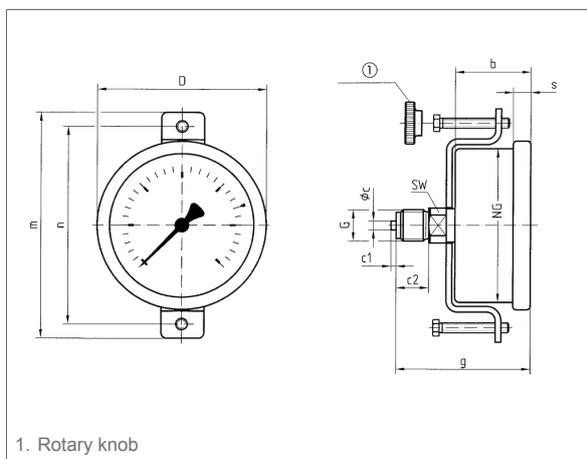
NG 63 – bottom back connection, 3-hole fixing, panel mounting bezel



NG 50 – bottom back connection, with clamp fixing



NG 63 – centre back connection, with clamp fixing



1. Rotary knob



Dimensions (mm)

NG	a	b	∅c	c1	c2	D	G	h	s	SW
50	10,5	28	5	2	13	53	G $\frac{1}{4}$ B	46	4,5	14
63	11,5	32	5	2	13	68	G $\frac{1}{4}$ B	53	7	14

Dimensions (mm)

NG	b	∅c	c1	c2	D	G	g	s	SW
40	30	4	2	10	44	G $\frac{1}{4}$ B	50	4,5	14

Dimensions (mm)

NG	b	∅c	c1	c2	D	e	G	g	s	SW
50	28	5	2	13	53	12,5	G $\frac{1}{4}$ B	51	4,5	14

Dimensions (mm)

NG	b	∅c	c1	c2	D	G	g	s	SW
63	32	5	2	13	68	G $\frac{1}{4}$ B	56	7	14

Dimensions (mm)

NG	b	∅c	c1	c2	d1*	d2*	d3*	D	e	G	g	s	s2	SW
50	28	5	2	13	60	70	3,6	53	12,5	G $\frac{1}{4}$ B	51	4,5	2,5	14

Dimensions (mm)

NG	b	∅c	c1	c2	d1*	d2*	d3*	d4	D	s1	s2	SW
63	32	5	2	13	75	85	3,6	64	68	5,5	2	14

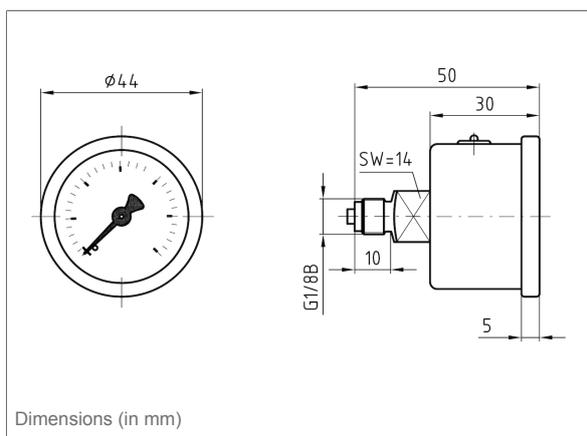
Dimensions (mm)

NG	b	∅c	c1	c2	D	e	G	g	m	s	SW
50	28	5	2	13	53	12,5	G $\frac{1}{4}$ B	51	59	4,5	14

Dimensions (mm)

NG	b	∅c	c1	c2	D	G	g	m	n	s	SW
63	32	5	2	13	68	G $\frac{1}{4}$ B	56	94	82	7	14

NG 40 - centre back connection

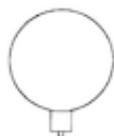




Versions

RF50ChGly D702

Housing \varnothing	Connection	Alignment	Housing	Accuracy class	Range	Type	Part no.
50 mm	G $\frac{1}{4}$ B	Bottom	Stainless steel 304	1,6	-1/0 bar	RF50ChGly D702	85051702
50 mm	G $\frac{1}{4}$ B	Bottom	Stainless steel 304	1,6	-1/+0.6 bar	RF50ChGly D702	85052702
50 mm	G $\frac{1}{4}$ B	Bottom	Stainless steel 304	1,6	-1/+1.5 bar	RF50ChGly D702	85053702
50 mm	G $\frac{1}{4}$ B	Bottom	Stainless steel 304	1,6	-1/+3 bar	RF50ChGly D702	85054702
50 mm	G $\frac{1}{4}$ B	Bottom	Stainless steel 304	1,6	-1/+5 bar	RF50ChGly D702	85055702
50 mm	G $\frac{1}{4}$ B	Bottom	Stainless steel 304	1,6	-1/+9 bar	RF50ChGly D702	85056702
50 mm	G $\frac{1}{4}$ B	Bottom	Stainless steel 304	1,6	-1/+15 bar	RF50ChGly D702	85057702
50 mm	G $\frac{1}{4}$ B	Bottom	Stainless steel 304	1,6	0/0.6 bar	RF50ChGly D702	85059702
50 mm	G $\frac{1}{4}$ B	Bottom	Stainless steel 304	1,6	0/1 bar	RF50ChGly D702	85060702
50 mm	G $\frac{1}{4}$ B	Bottom	Stainless steel 304	1,6	0/1.6 bar	RF50ChGly D702	85061702
50 mm	G $\frac{1}{4}$ B	Bottom	Stainless steel 304	1,6	0/2.5 bar	RF50ChGly D702	85062702
50 mm	G $\frac{1}{4}$ B	Bottom	Stainless steel 304	1,6	0/4 bar	RF50ChGly D702	85063702
50 mm	G $\frac{1}{4}$ B	Bottom	Stainless steel 304	1,6	0/6 bar	RF50ChGly D702	85064702
50 mm	G $\frac{1}{4}$ B	Bottom	Stainless steel 304	1,6	0/10 bar	RF50ChGly D702	85065702
50 mm	G $\frac{1}{4}$ B	Bottom	Stainless steel 304	1,6	0/16 bar	RF50ChGly D702	85066702
50 mm	G $\frac{1}{4}$ B	Bottom	Stainless steel 304	1,6	0/25 bar	RF50ChGly D702	85067702
50 mm	G $\frac{1}{4}$ B	Bottom	Stainless steel 304	1,6	0/40 bar	RF50ChGly D702	85068702
50 mm	G $\frac{1}{4}$ B	Bottom	Stainless steel 304	1,6	0/60 bar	RF50ChGly D702	85069702
50 mm	G $\frac{1}{4}$ B	Bottom	Stainless steel 304	1,6	0/100 bar	RF50ChGly D702	85070702
50 mm	G $\frac{1}{4}$ B	Bottom	Stainless steel 304	1,6	0/160 bar	RF50ChGly D702	85071702
50 mm	G $\frac{1}{4}$ B	Bottom	Stainless steel 304	1,6	0/250 bar	RF50ChGly D702	85072702
50 mm	G $\frac{1}{4}$ B	Bottom	Stainless steel 304	1,6	0/400 bar	RF50ChGly D702	85073702
50 mm	G $\frac{1}{4}$ B	Bottom	Stainless steel 304	1,6	0/600 bar	RF50ChGly D702	85074702

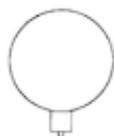


Blue part no. = in-stock items



RF63ChGly D702

Housing \varnothing	Connection	Alignment	Housing	Accuracy class	Range	Type	Part no.
63 mm	G $\frac{1}{4}$ B	Bottom	Stainless steel 304	1,6	-1/0 bar	RF63ChGly D702	85101702
63 mm	G $\frac{1}{4}$ B	Bottom	Stainless steel 304	1,6	-1/+0.6 bar	RF63ChGly D702	85102702
63 mm	G $\frac{1}{4}$ B	Bottom	Stainless steel 304	1,6	-1/+1.5 bar	RF63ChGly D702	85103702
63 mm	G $\frac{1}{4}$ B	Bottom	Stainless steel 304	1,6	-1/+3 bar	RF63ChGly D702	85104702
63 mm	G $\frac{1}{4}$ B	Bottom	Stainless steel 304	1,6	-1/+5 bar	RF63ChGly D702	85105702
63 mm	G $\frac{1}{4}$ B	Bottom	Stainless steel 304	1,6	-1/+9 bar	RF63ChGly D702	85106702
63 mm	G $\frac{1}{4}$ B	Bottom	Stainless steel 304	1,6	-1/+15 bar	RF63ChGly D702	85107702
63 mm	G $\frac{1}{4}$ B	Bottom	Stainless steel 304	1,6	0/0.6 bar	RF63ChGly D702	85109702
63 mm	G $\frac{1}{4}$ B	Bottom	Stainless steel 304	1,6	0/1 bar	RF63ChGly D702	85110702
63 mm	G $\frac{1}{4}$ B	Bottom	Stainless steel 304	1,6	0/1.6 bar	RF63ChGly D702	85111702
63 mm	G $\frac{1}{4}$ B	Bottom	Stainless steel 304	1,6	0/2.5 bar	RF63ChGly D702	85112702
63 mm	G $\frac{1}{4}$ B	Bottom	Stainless steel 304	1,6	0/4 bar	RF63ChGly D702	85113702
63 mm	G $\frac{1}{4}$ B	Bottom	Stainless steel 304	1,6	0/6 bar	RF63ChGly D702	85114702
63 mm	G $\frac{1}{4}$ B	Bottom	Stainless steel 304	1,6	0/10 bar	RF63ChGly D702	85115702
63 mm	G $\frac{1}{4}$ B	Bottom	Stainless steel 304	1,6	0/16 bar	RF63ChGly D702	85116702
63 mm	G $\frac{1}{4}$ B	Bottom	Stainless steel 304	1,6	0/25 bar	RF63ChGly D702	85117702
63 mm	G $\frac{1}{4}$ B	Bottom	Stainless steel 304	1,6	0/40 bar	RF63ChGly D702	85118702
63 mm	G $\frac{1}{4}$ B	Bottom	Stainless steel 304	1,6	0/60 bar	RF63ChGly D702	85119702
63 mm	G $\frac{1}{4}$ B	Bottom	Stainless steel 304	1,6	0/100 bar	RF63ChGly D702	85120702
63 mm	G $\frac{1}{4}$ B	Bottom	Stainless steel 304	1,6	0/160 bar	RF63ChGly D702	85121702
63 mm	G $\frac{1}{4}$ B	Bottom	Stainless steel 304	1,6	0/250 bar	RF63ChGly D702	85122702
63 mm	G $\frac{1}{4}$ B	Bottom	Stainless steel 304	1,6	0/400 bar	RF63ChGly D702	85123702
63 mm	G $\frac{1}{4}$ B	Bottom	Stainless steel 304	1,6	0/600 bar	RF63ChGly D702	85124702
63 mm	G $\frac{1}{4}$ B	Bottom	Stainless steel 304	1,6	0/1,000 bar	RF63ChGly D702	85125702

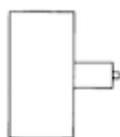


Blue part no. = in-stock items



RF40ChGly D712

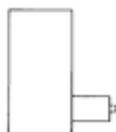
Housing \varnothing	Connection	Alignment	Housing	Accuracy class	Range	Type	Part no.
40 mm	G $\frac{1}{4}$ B	Centre back	Stainless steel 304	2,5	0/1.6 bar	RF40ChGly D712	85011712
40 mm	G $\frac{1}{4}$ B	Centre back	Stainless steel 304	2,5	0/2.5 bar	RF40ChGly D712	85012712
40 mm	G $\frac{1}{4}$ B	Centre back	Stainless steel 304	2,5	0/4 bar	RF40ChGly D712	85013712
40 mm	G $\frac{1}{4}$ B	Centre back	Stainless steel 304	2,5	0/6 bar	RF40ChGly D712	85014712
40 mm	G $\frac{1}{4}$ B	Centre back	Stainless steel 304	2,5	0/10 bar	RF40ChGly D712	85015712
40 mm	G $\frac{1}{4}$ B	Centre back	Stainless steel 304	2,5	0/16 bar	RF40ChGly D712	85016712
40 mm	G $\frac{1}{4}$ B	Centre back	Stainless steel 304	2,5	0/25 bar	RF40ChGly D712	85017712
40 mm	G $\frac{1}{4}$ B	Centre back	Stainless steel 304	2,5	0/40 bar	RF40ChGly D712	85018712
40 mm	G $\frac{1}{4}$ B	Centre back	Stainless steel 304	2,5	0/60 bar	RF40ChGly D712	85019712
40 mm	G $\frac{1}{4}$ B	Centre back	Stainless steel 304	2,5	0/100 bar	RF40ChGly D712	85020712
40 mm	G $\frac{1}{4}$ B	Centre back	Stainless steel 304	2,5	0/160 bar	RF40ChGly D712	85021712
40 mm	G $\frac{1}{4}$ B	Centre back	Stainless steel 304	2,5	0/250 bar	RF40ChGly D712	85022712
40 mm	G $\frac{1}{4}$ B	Centre back	Stainless steel 304	2,5	0/400 bar	RF40ChGly D712	85023712



Blue part no. = in-stock items

RF50ChGly D712

Housing \varnothing	Connection	Alignment	Housing	Accuracy class	Range	Type	Part no.
50 mm	G $\frac{1}{4}$ B	Bottom back	Stainless steel 304	1,6	-1/0 bar	RF50ChGly D712	85051712
50 mm	G $\frac{1}{4}$ B	Bottom back	Stainless steel 304	1,6	-1/+0.6 bar	RF50ChGly D712	85052712
50 mm	G $\frac{1}{4}$ B	Bottom back	Stainless steel 304	1,6	-1/+1.5 bar	RF50ChGly D712	85053712
50 mm	G $\frac{1}{4}$ B	Bottom back	Stainless steel 304	1,6	-1/+3 bar	RF50ChGly D712	85054712
50 mm	G $\frac{1}{4}$ B	Bottom back	Stainless steel 304	1,6	-1/+5 bar	RF50ChGly D712	85055712
50 mm	G $\frac{1}{4}$ B	Bottom back	Stainless steel 304	1,6	-1/+9 bar	RF50ChGly D712	85056712
50 mm	G $\frac{1}{4}$ B	Bottom back	Stainless steel 304	1,6	-1/+15 bar	RF50ChGly D712	85057712
50 mm	G $\frac{1}{4}$ B	Bottom back	Stainless steel 304	1,6	0/0.6 bar	RF50ChGly D712	85059712
50 mm	G $\frac{1}{4}$ B	Bottom back	Stainless steel 304	1,6	0/1 bar	RF50ChGly D712	85060712
50 mm	G $\frac{1}{4}$ B	Bottom back	Stainless steel 304	1,6	0/1.6 bar	RF50ChGly D712	85061712
50 mm	G $\frac{1}{4}$ B	Bottom back	Stainless steel 304	1,6	0/2.5 bar	RF50ChGly D712	85062712
50 mm	G $\frac{1}{4}$ B	Bottom back	Stainless steel 304	1,6	0/4 bar	RF50ChGly D712	85063712



Blue part no. = in-stock items



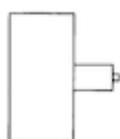
Housing \varnothing	Connection	Alignment	Housing	Accuracy class	Range	Type	Part no.
50 mm	G $\frac{1}{4}$ B	Bottom back	Stainless steel 304	1,6	0/6 bar	RF50ChGly D712	85064712
50 mm	G $\frac{1}{4}$ B	Bottom back	Stainless steel 304	1,6	0/10 bar	RF50ChGly D712	85065712
50 mm	G $\frac{1}{4}$ B	Bottom back	Stainless steel 304	1,6	0/16 bar	RF50ChGly D712	85066712
50 mm	G $\frac{1}{4}$ B	Bottom back	Stainless steel 304	1,6	0/25 bar	RF50ChGly D712	85067712
50 mm	G $\frac{1}{4}$ B	Bottom back	Stainless steel 304	1,6	0/40 bar	RF50ChGly D712	85068712
50 mm	G $\frac{1}{4}$ B	Bottom back	Stainless steel 304	1,6	0/60 bar	RF50ChGly D712	85069712
50 mm	G $\frac{1}{4}$ B	Bottom back	Stainless steel 304	1,6	0/100 bar	RF50ChGly D712	85070712
50 mm	G $\frac{1}{4}$ B	Bottom back	Stainless steel 304	1,6	0/160 bar	RF50ChGly D712	85071712
50 mm	G $\frac{1}{4}$ B	Bottom back	Stainless steel 304	1,6	0/250 bar	RF50ChGly D712	85072712
50 mm	G $\frac{1}{4}$ B	Bottom back	Stainless steel 304	1,6	0/400 bar	RF50ChGly D712	85073712
50 mm	G $\frac{1}{4}$ B	Bottom back	Stainless steel 304	1,6	0/600 bar	RF50ChGly D712	85074712

Blue part no. = in-stock items

RF63ChGly D712

Housing \varnothing	Connection	Alignment	Housing	Accuracy class	Range	Type	Part no.
63 mm	G $\frac{1}{4}$ B	Centre back	Stainless steel 304	1,6	-1/0 bar	RF63ChGly D712	85101712
63 mm	G $\frac{1}{4}$ B	Centre back	Stainless steel 304	1,6	-1/+0.6 bar	RF63ChGly D712	85102712
63 mm	G $\frac{1}{4}$ B	Centre back	Stainless steel 304	1,6	-1/+1.5 bar	RF63ChGly D712	85103712
63 mm	G $\frac{1}{4}$ B	Centre back	Stainless steel 304	1,6	-1/+3 bar	RF63ChGly D712	85104712
63 mm	G $\frac{1}{4}$ B	Centre back	Stainless steel 304	1,6	-1/+5 bar	RF63ChGly D712	85105712
63 mm	G $\frac{1}{4}$ B	Centre back	Stainless steel 304	1,6	-1/+9 bar	RF63ChGly D712	85106712
63 mm	G $\frac{1}{4}$ B	Centre back	Stainless steel 304	1,6	-1/+15 bar	RF63ChGly D712	85107712
63 mm	G $\frac{1}{4}$ B	Centre back	Stainless steel 304	1,6	0/0.6 bar	RF63ChGly D712	85109712
63 mm	G $\frac{1}{4}$ B	Centre back	Stainless steel 304	1,6	0/1 bar	RF63ChGly D712	85110712
63 mm	G $\frac{1}{4}$ B	Centre back	Stainless steel 304	1,6	0/1.6 bar	RF63ChGly D712	85111712
63 mm	G $\frac{1}{4}$ B	Centre back	Stainless steel 304	1,6	0/2.5 bar	RF63ChGly D712	85112712
63 mm	G $\frac{1}{4}$ B	Centre back	Stainless steel 304	1,6	0/4 bar	RF63ChGly D712	85113712
63 mm	G $\frac{1}{4}$ B	Centre back	Stainless steel 304	1,6	0/6 bar	RF63ChGly D712	85114712
63 mm	G $\frac{1}{4}$ B	Centre back	Stainless steel 304	1,6	0/10 bar	RF63ChGly D712	85115712
63 mm	G $\frac{1}{4}$ B	Centre back	Stainless steel 304	1,6	0/16 bar	RF63ChGly D712	85116712

Blue part no. = in-stock items





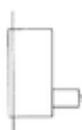
Housing [⊗]	Connection	Alignment	Housing	Accuracy class	Range	Type	Part no.
63 mm	G¼B	Centre back	Stainless steel 304	1,6	0/25 bar	RF63ChGly D712	85117712
63 mm	G¼B	Centre back	Stainless steel 304	1,6	0/40 bar	RF63ChGly D712	85118712
63 mm	G¼B	Centre back	Stainless steel 304	1,6	0/60 bar	RF63ChGly D712	85119712
63 mm	G¼B	Centre back	Stainless steel 304	1,6	0/100 bar	RF63ChGly D712	85120712
63 mm	G¼B	Centre back	Stainless steel 304	1,6	0/160 bar	RF63ChGly D712	85121712
63 mm	G¼B	Centre back	Stainless steel 304	1,6	0/250 bar	RF63ChGly D712	85122712
63 mm	G¼B	Centre back	Stainless steel 304	1,6	0/400 bar	RF63ChGly D712	85123712
63 mm	G¼B	Centre back	Stainless steel 304	1,6	0/600 bar	RF63ChGly D712	85124712
63 mm	G¼B	Centre back	Stainless steel 304	1,6	0/1,000 bar	RF63ChGly D712	85125712

Blue part no. = in-stock items

RF50ChGly D732

Housing [⊗]	Connection	Alignment	Housing	Accuracy class	Range	Type	Part no.
50 mm	G¼B	Bottom back	Stainless steel 304	1,6	-1/0 bar	RF50ChGly D732	85052732
50 mm	G¼B	Bottom back	Stainless steel 304	1,6	-1/+0.6 bar	RF50ChGly D732	85051732
50 mm	G¼B	Bottom back	Stainless steel 304	1,6	-1/+1.5 bar	RF50ChGly D732	85053732
50 mm	G¼B	Bottom back	Stainless steel 304	1,6	-1/+3 bar	RF50ChGly D732	85054732
50 mm	G¼B	Bottom back	Stainless steel 304	1,6	-1/+5 bar	RF50ChGly D732	85055732
50 mm	G¼B	Bottom back	Stainless steel 304	1,6	-1/+9 bar	RF50ChGly D732	85056732
50 mm	G¼B	Bottom back	Stainless steel 304	1,6	-1/+15 bar	RF50ChGly D732	85057732
50 mm	G¼B	Bottom back	Stainless steel 304	1,6	0/0.6 bar	RF50ChGly D732	85059732
50 mm	G¼B	Bottom back	Stainless steel 304	1,6	0/1 bar	RF50ChGly D732	85060732
50 mm	G¼B	Bottom back	Stainless steel 304	1,6	0/1.6 bar	RF50ChGly D732	85061732
50 mm	G¼B	Bottom back	Stainless steel 304	1,6	0/2.5 bar	RF50ChGly D732	85062732
50 mm	G¼B	Bottom back	Stainless steel 304	1,6	0/4 bar	RF50ChGly D732	85063732
50 mm	G¼B	Bottom back	Stainless steel 304	1,6	0/6 bar	RF50ChGly D732	85064732
50 mm	G¼B	Bottom back	Stainless steel 304	1,6	0/10 bar	RF50ChGly D732	85065732
50 mm	G¼B	Bottom back	Stainless steel 304	1,6	0/16 bar	RF50ChGly D732	85066732
50 mm	G¼B	Bottom back	Stainless steel 304	1,6	0/25 bar	RF50ChGly D732	85067732
50 mm	G¼B	Bottom back	Stainless steel 304	1,6	0/40 bar	RF50ChGly D732	85068732

Blue part no. = in-stock items





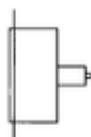
Housing \varnothing	Connection	Alignment	Housing	Accuracy class	Range	Type	Part no.
50 mm	G $\frac{1}{4}$ B	Bottom back	Stainless steel 304	1,6	0/60 bar	RF50ChGly D732	85069732
50 mm	G $\frac{1}{4}$ B	Bottom back	Stainless steel 304	1,6	0/100 bar	RF50ChGly D732	85070732
50 mm	G $\frac{1}{4}$ B	Bottom back	Stainless steel 304	1,6	0/160 bar	RF50ChGly D732	85071732
50 mm	G $\frac{1}{4}$ B	Bottom back	Stainless steel 304	1,6	0/250 bar	RF50ChGly D732	85072732
50 mm	G $\frac{1}{4}$ B	Bottom back	Stainless steel 304	1,6	0/400 bar	RF50ChGly D732	85073732
50 mm	G $\frac{1}{4}$ B	Bottom back	Stainless steel 304	1,6	0/600 bar	RF50ChGly D732	85074732

Blue part no. = in-stock items

RF63ChGly D732

Housing \varnothing	Connection	Alignment	Housing	Accuracy class	Range	Type	Part no.
63 mm	G $\frac{1}{4}$ B	Centre back	Stainless steel 304	1,6	-1/0 bar	RF63ChGly D732	85101732
63 mm	G $\frac{1}{4}$ B	Centre back	Stainless steel 304	1,6	-1/+0.6 bar	RF63ChGly D732	85102732
63 mm	G $\frac{1}{4}$ B	Centre back	Stainless steel 304	1,6	-1/+1.5 bar	RF63ChGly D732	85103732
63 mm	G $\frac{1}{4}$ B	Centre back	Stainless steel 304	1,6	-1/+3 bar	RF63ChGly D732	85104732
63 mm	G $\frac{1}{4}$ B	Centre back	Stainless steel 304	1,6	-1/+5 bar	RF63ChGly D732	85105732
63 mm	G $\frac{1}{4}$ B	Centre back	Stainless steel 304	1,6	-1/+9 bar	RF63ChGly D732	85106732
63 mm	G $\frac{1}{4}$ B	Centre back	Stainless steel 304	1,6	-1/+15 bar	RF63ChGly D732	85107732
63 mm	G $\frac{1}{4}$ B	Centre back	Stainless steel 304	1,6	0/0.6 bar	RF63ChGly D732	85109732
63 mm	G $\frac{1}{4}$ B	Centre back	Stainless steel 304	1,6	0/1 bar	RF63ChGly D732	85110732
63 mm	G $\frac{1}{4}$ B	Centre back	Stainless steel 304	1,6	0/1.6 bar	RF63ChGly D732	85111732
63 mm	G $\frac{1}{4}$ B	Centre back	Stainless steel 304	1,6	0/2.5 bar	RF63ChGly D732	85112732
63 mm	G $\frac{1}{4}$ B	Centre back	Stainless steel 304	1,6	0/4 bar	RF63ChGly D732	85113732
63 mm	G $\frac{1}{4}$ B	Centre back	Stainless steel 304	1,6	0/6 bar	RF63ChGly D732	85114732
63 mm	G $\frac{1}{4}$ B	Centre back	Stainless steel 304	1,6	0/10 bar	RF63ChGly D732	85115732
63 mm	G $\frac{1}{4}$ B	Centre back	Stainless steel 304	1,6	0/16 bar	RF63ChGly D732	85116732
63 mm	G $\frac{1}{4}$ B	Centre back	Stainless steel 304	1,6	0/25 bar	RF63ChGly D732	85117732
63 mm	G $\frac{1}{4}$ B	Centre back	Stainless steel 304	1,6	0/40 bar	RF63ChGly D732	85118732
63 mm	G $\frac{1}{4}$ B	Centre back	Stainless steel 304	1,6	0/60 bar	RF63ChGly D732	85119732
63 mm	G $\frac{1}{4}$ B	Centre back	Stainless steel 304	1,6	0/100 bar	RF63ChGly D732	85120732
63 mm	G $\frac{1}{4}$ B	Centre back	Stainless steel 304	1,6	0/160 bar	RF63ChGly D732	85121732

Blue part no. = in-stock items





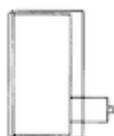
Housing ^ø	Connection	Alignment	Housing	Accuracy class	Range	Type	Part no.
63 mm	G¼B	Centre back	Stainless steel 304	1,6	0/250 bar	RF63ChGly D732	85122732
63 mm	G¼B	Centre back	Stainless steel 304	1,6	0/400 bar	RF63ChGly D732	85123732
63 mm	G¼B	Centre back	Stainless steel 304	1,6	0/600 bar	RF63ChGly D732	85124732
63 mm	G¼B	Centre back	Stainless steel 304	1,6	0/1,000 bar	RF63ChGly D732	85125732

Blue part no. = in-stock items

RF50ChGly D752

Housing ^ø	Connection	Alignment	Housing	Accuracy class	Range	Type	Part no.
50 mm	G¼B	Bottom back	Stainless steel 304	1,6	-1/0 bar	RF50ChGly D752	85051752
50 mm	G¼B	Bottom back	Stainless steel 304	1,6	-1/+0.6 bar	RF50ChGly D752	85052752
50 mm	G¼B	Bottom back	Stainless steel 304	1,6	-1/+1.5 bar	RF50ChGly D752	85053752
50 mm	G¼B	Bottom back	Stainless steel 304	1,6	-1/+3 bar	RF50ChGly D752	85054752
50 mm	G¼B	Bottom back	Stainless steel 304	1,6	-1/+5 bar	RF50ChGly D752	85055752
50 mm	G¼B	Bottom back	Stainless steel 304	1,6	-1/+9 bar	RF50ChGly D752	85056752
50 mm	G¼B	Bottom back	Stainless steel 304	1,6	-1/+15 bar	RF50ChGly D752	85057752
50 mm	G¼B	Bottom back	Stainless steel 304	1,6	0/0.6 bar	RF50ChGly D752	85059752
50 mm	G¼B	Bottom back	Stainless steel 304	1,6	0/1 bar	RF50ChGly D752	85060752
50 mm	G¼B	Bottom back	Stainless steel 304	1,6	0/1.6 bar	RF50ChGly D752	85061752
50 mm	G¼B	Bottom back	Stainless steel 304	1,6	0/2.5 bar	RF50ChGly D752	85062752
50 mm	G¼B	Bottom back	Stainless steel 304	1,6	0/4 bar	RF50ChGly D752	85063752
50 mm	G¼B	Bottom back	Stainless steel 304	1,6	0/6 bar	RF50ChGly D752	85064752
50 mm	G¼B	Bottom back	Stainless steel 304	1,6	0/10 bar	RF50ChGly D752	85065752
50 mm	G¼B	Bottom back	Stainless steel 304	1,6	0/16 bar	RF50ChGly D752	85066752
50 mm	G¼B	Bottom back	Stainless steel 304	1,6	0/25 bar	RF50ChGly D752	85067752
50 mm	G¼B	Bottom back	Stainless steel 304	1,6	0/40 bar	RF50ChGly D752	85068752
50 mm	G¼B	Bottom back	Stainless steel 304	1,6	0/60 bar	RF50ChGly D752	85069752
50 mm	G¼B	Bottom back	Stainless steel 304	1,6	0/100 bar	RF50ChGly D752	85070752
50 mm	G¼B	Bottom back	Stainless steel 304	1,6	0/160 bar	RF50ChGly D752	85071752

Blue part no. = in-stock items





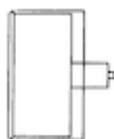
Housing [⊗]	Connection	Alignment	Housing	Accuracy class	Range	Type	Part no.
50 mm	G¼B	Bottom back	Stainless steel 304	1,6	0/250 bar	RF50ChGly D752	85072752
50 mm	G¼B	Bottom back	Stainless steel 304	1,6	0/400 bar	RF50ChGly D752	85073752
50 mm	G¼B	Bottom back	Stainless steel 304	1,6	0/600 bar	RF50ChGly D752	85074752

Blue part no. = in-stock items

RF63ChGly D752

Housing [⊗]	Connection	Alignment	Housing	Accuracy class	Range	Type	Part no.
63 mm	G¼B	Centre back	Stainless steel 304	1,6	-1/0 bar	RF63ChGly D752	85101752
63 mm	G¼B	Centre back	Stainless steel 304	1,6	-1/+0.6 bar	RF63ChGly D752	85102752
63 mm	G¼B	Centre back	Stainless steel 304	1,6	-1/+1.5 bar	RF63ChGly D752	85103752
63 mm	G¼B	Centre back	Stainless steel 304	1,6	-1/+3 bar	RF63ChGly D752	85104752
63 mm	G¼B	Centre back	Stainless steel 304	1,6	-1/+5 bar	RF63ChGly D752	85105752
63 mm	G¼B	Centre back	Stainless steel 304	1,6	-1/+9 bar	RF63ChGly D752	85106752
63 mm	G¼B	Centre back	Stainless steel 304	1,6	-1/+15 bar	RF63ChGly D752	85107752
63 mm	G¼B	Centre back	Stainless steel 304	1,6	0/0.6 bar	RF63ChGly D752	85109752
63 mm	G¼B	Centre back	Stainless steel 304	1,6	0/1 bar	RF63ChGly D752	85110752
63 mm	G¼B	Centre back	Stainless steel 304	1,6	0/1.6 bar	RF63ChGly D752	85111752
63 mm	G¼B	Centre back	Stainless steel 304	1,6	0/2.5 bar	RF63ChGly D752	85112752
63 mm	G¼B	Centre back	Stainless steel 304	1,6	0/4 bar	RF63ChGly D752	85113752
63 mm	G¼B	Centre back	Stainless steel 304	1,6	0/6 bar	RF63ChGly D752	85114752
63 mm	G¼B	Centre back	Stainless steel 304	1,6	0/10 bar	RF63ChGly D752	85115752
63 mm	G¼B	Centre back	Stainless steel 304	1,6	0/16 bar	RF63ChGly D752	85116752
63 mm	G¼B	Centre back	Stainless steel 304	1,6	0/25 bar	RF63ChGly D752	85117752
63 mm	G¼B	Centre back	Stainless steel 304	1,6	0/40 bar	RF63ChGly D752	85118752
63 mm	G¼B	Centre back	Stainless steel 304	1,6	0/60 bar	RF63ChGly D752	85119752
63 mm	G¼B	Centre back	Stainless steel 304	1,6	0/100 bar	RF63ChGly D752	85120752
63 mm	G¼B	Centre back	Stainless steel 304	1,6	0/160 bar	RF63ChGly D752	85121752
63 mm	G¼B	Centre back	Stainless steel 304	1,6	0/250 bar	RF63ChGly D752	85122752

Blue part no. = in-stock items





Housing [⊗]	Connection	Alignment	Housing	Accuracy class	Range	Type	Part no.
63 mm	G¼B	Centre back	Stainless steel 304	1,6	0/400 bar	RF63ChGly D752	85123752
63 mm	G¼B	Centre back	Stainless steel 304	1,6	0/600 bar	RF63ChGly D752	85124752
63 mm	G¼B	Centre back	Stainless steel 304	1,6	0/1,000 bar	RF63ChGly D752	85125752

Blue part no. = in-stock items