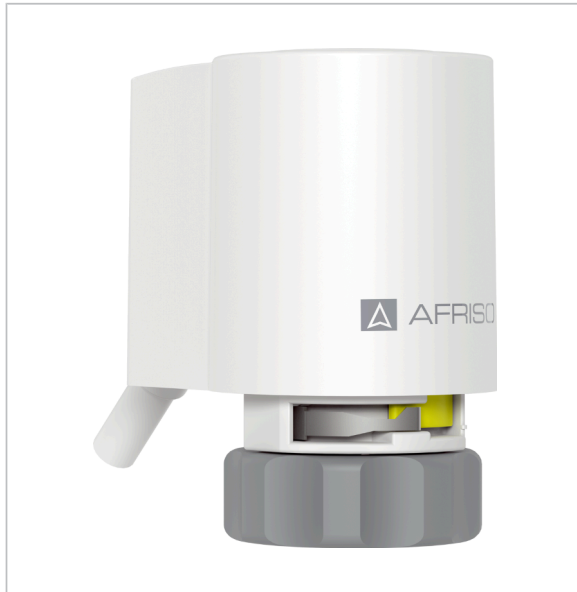




Thermostatic actuator TSA 13 FO



Benefits

- First Open function
- Manual Re-Open function without power applied
- Stroke indicator
- Integrated limit switch for circulation pump
- Either as 24 V or as 230 V version



Application

For controlling the hot water valves in radiators or AFRISO distribution manifolds such as heating/ cooling circuit manifolds ProCalida® MC, EF, VA and IN. Actuators convert the electrical signal received from room or timer thermostats into a valve stroke to control the set temperature via the flow volume. The actuator is factory-opened (First Open function) so that the stroke valves at the heating circuit manifold remain open during initial commissioning. This facilitates mounting as well as filling and flushing of the system since, at this point in time, the control system is usually not yet operative. The First Open function (FO) is automatically disabled as soon as the actuator is electrically connected and fully closed. The FO function can also be manually deactivated by lifting the stroke indicator with a screwdriver. When the stroke indicator is lifted, the "clip Re-Open" is "relieved" and disables the FO function. For servicing, the factory setting "open" of the actuator can be restored manually via the clip without power having to be applied. To do so, lift the stroke indicator with a screwdriver until the clip can be pushed below the stroke indicator. The pre-load of the stroke indicator keeps the clip in position and the FO function is active again.

Versions

	Part no.
Thermostatic actuator TSA 13 FO AC 230 V	79300
Thermostatic actuator TSA 13 FO AC/DC 24 V	79301

Blue part no. = in-stock items

Description

Electro-thermostatic actuator with First Open and Re-Open functions, position indication, limit switch, connection cable and union nut for direct connection to the valve or upper part of the valve. TSA 13 can be used to switch off the pump via the integrated limit switch when all valves are closed. Closed when de-energised; available as 24 V or as 230 V version. Any mounting position.



Technical specifications

Operating mode

Closed when de-energised (NC)
Condition as delivered: Open

Control stroke

4.5 mm

Opening time

AC 230 V: 3.5 min
AC/DC 24 V: 4.5 min

Closing dimension

10.8 mm

Actuating force

110 N

Connection

Union nut
M30 x 1.5 mm
Switching output: 1 voltage-free, normally open contact

Housing

Degree of protection: IP 54 (EN 60730-1)
Cap: White
Yellow
Logo: Customer-specific

Cable

4 x 0.75 mm², white, H05
Length 1 m

Operating temperature range

Operation: Max. 100 °C (at valve)
Ambient: 0/50 °C
Storage: -25/+70 °C
Ambient humidity: < 85 % r.F., Non-condensing

Supply voltage

AC 230 V or AC/DC 24 V

Power input continuous operation

AC 230 V: 1.7 W
AC/DC 24 V: 1.6 W

Protection class

AC 230 V: II (EN 60730-1)
AC/DC 24 V: III (EN 60730-1)

Dimensions (H x W x D)

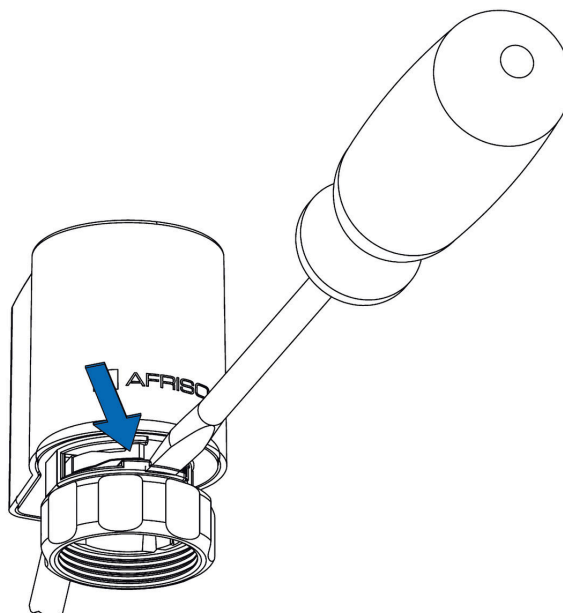
68 x 40 x 56 mm

Weight

165 g

Detail views

mounting of spacer



1. Lift sleeve push clip in direction of arrow
2. Relieve sleeve, clip is tensioned

Technical drawings

Dimensions (in mm)

